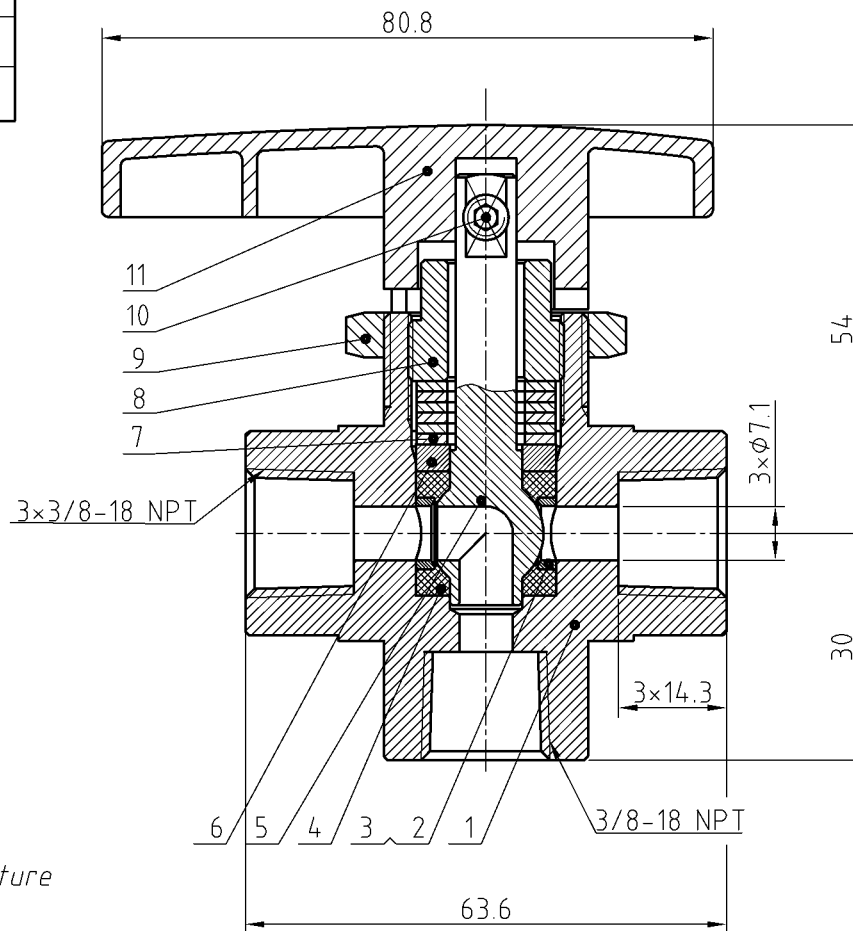
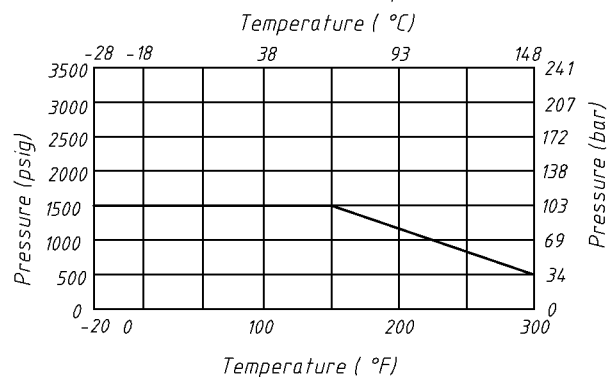


| Valve Features | |
|--------------------------|-------------|
| Maximum working pressure | 1500psig |
| Working temperature | -28°C~148°C |
| Orifice | 7.1mm |
| CV | 1.5 |



| IDX | Component | Material |
|-----|--------------|-----------------|
| 1 | Body | 316 L/A479 |
| 2 | Support Ring | 316 L/A479 |
| 3 | Support Disc | 316 L/A479 |
| 4 | Packing Seat | PTFE |
| 5 | Ball Stem | 316 L/A479 |
| 6 | Gland | 316 L/A479 |
| 7 | Disc Spring | Stainless Steel |
| 8 | Packing Bolt | 316 L/A479 |
| 9 | Panel Nut | 316 L/A479 |
| 10 | Set Screw | Stainless Steel |
| 11 | Handle | Nylon |

Pressure vs. Temperature



NOTE: Dimensions for reference only.

| | | | | | |
|-------------------------|------|-------------------|---|--|-----|
| Linear unit of size: mm | | <i>Ball valve</i> | | НТА-ПРОМ ТЕХНОЛОГИИ РЕШЕНИЯ СЕРВИС | |
| signature | date | | | | |
| design | | versions | 1 | proportion | 1:1 |
| audit | | | | Page 1/1 | |
| ratify | | | | | |
| BVN1-2C-3B-F-6N-S | | | | | |