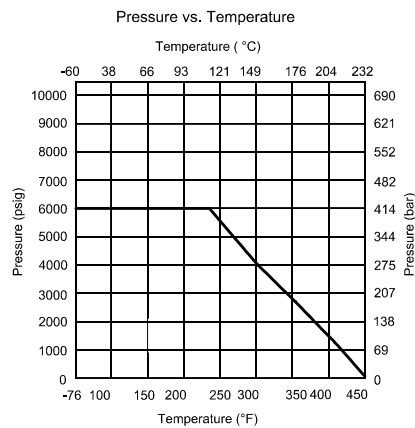
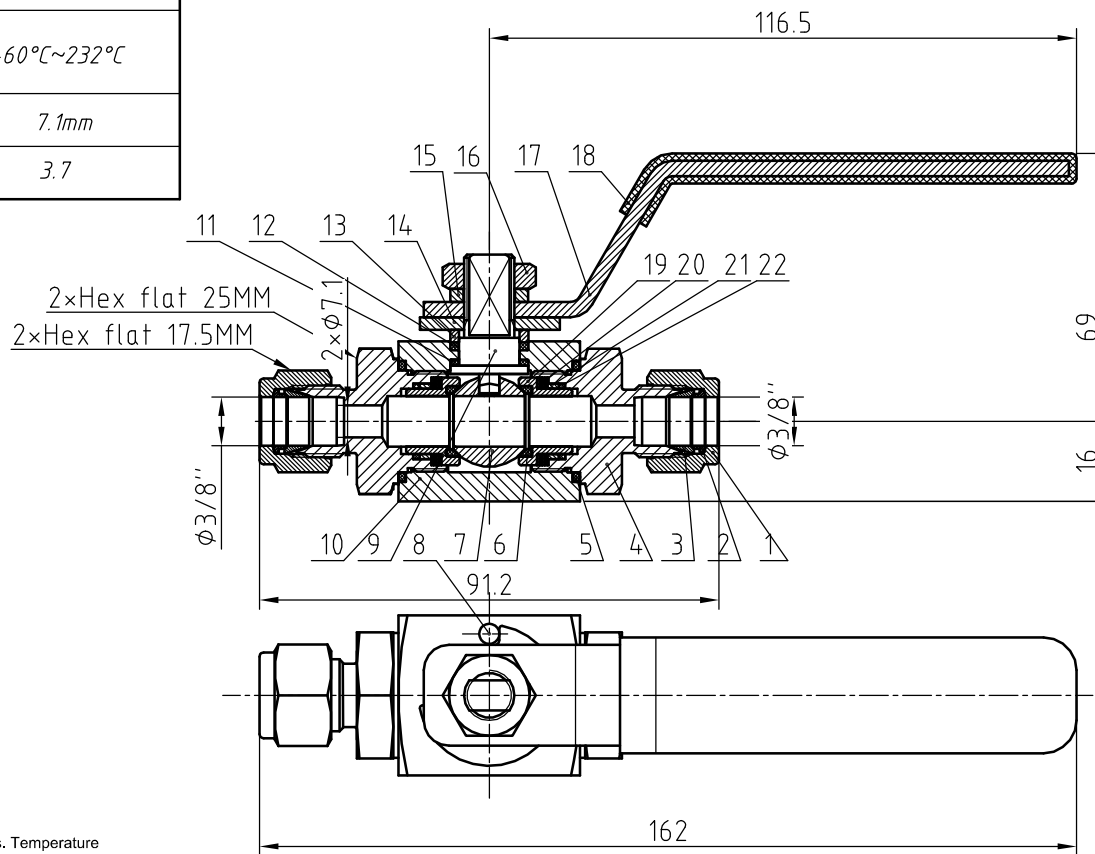


Valve Features	
Maximum working pressure	6000psig
Working temperature	-60°C~232°C
Orifice	7.1mm
Cv	3.7



NOTE: Dimensions for reference only.

IDX	Designation	Materials
1	Nut	316 L/A4 79
2	Rear Ferrules	316 L/A4 79
3	Front Ferrules	316 L/A4 79
4	End Connection	316 L/A4 79
5	O-ring	EPDM
6	Seat	PEEK
7	Ball	316 L/A4 79
8	Stop Pin	316 L/A4 79
9	Stem	316 L/A4 79
10	Body	316 L/A4 79
11	Lower Packing	PEEK
12	Stem Packing	RPTFE
13	Stem Washer	316 L/A4 79
14	Stop Block	Stainless Steel
15	Spring Washer	Stainless Steel
16	Stem Nut	Stainless Steel
17	Handle	Stainless Steel
18	Sleeve	PVC
19	Valve seat guard ring	316 L/A4 79
20	Disc spring	Stainless Steel
21	Thrust washer	316 L/A4 79
22	Sealing retaining ring	PEEK

Linear unit of size: mm		Кран шаровый		НТА-ПРОМ ТЕХНОЛОГИИ РЕШЕНИЯ СЕРВИС	
signature	date				
design		versions	1	proportion	1:1.5
audit				Page 1/1	
ratify					
BVN4-2A-D-6T-PK-LT-S					