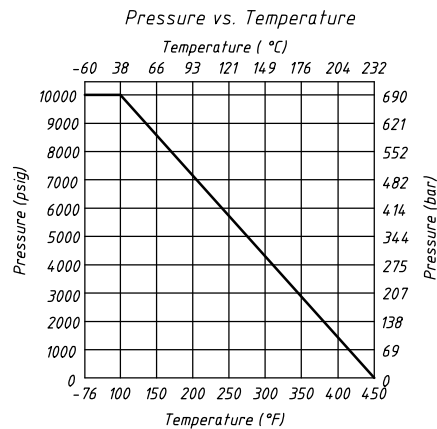
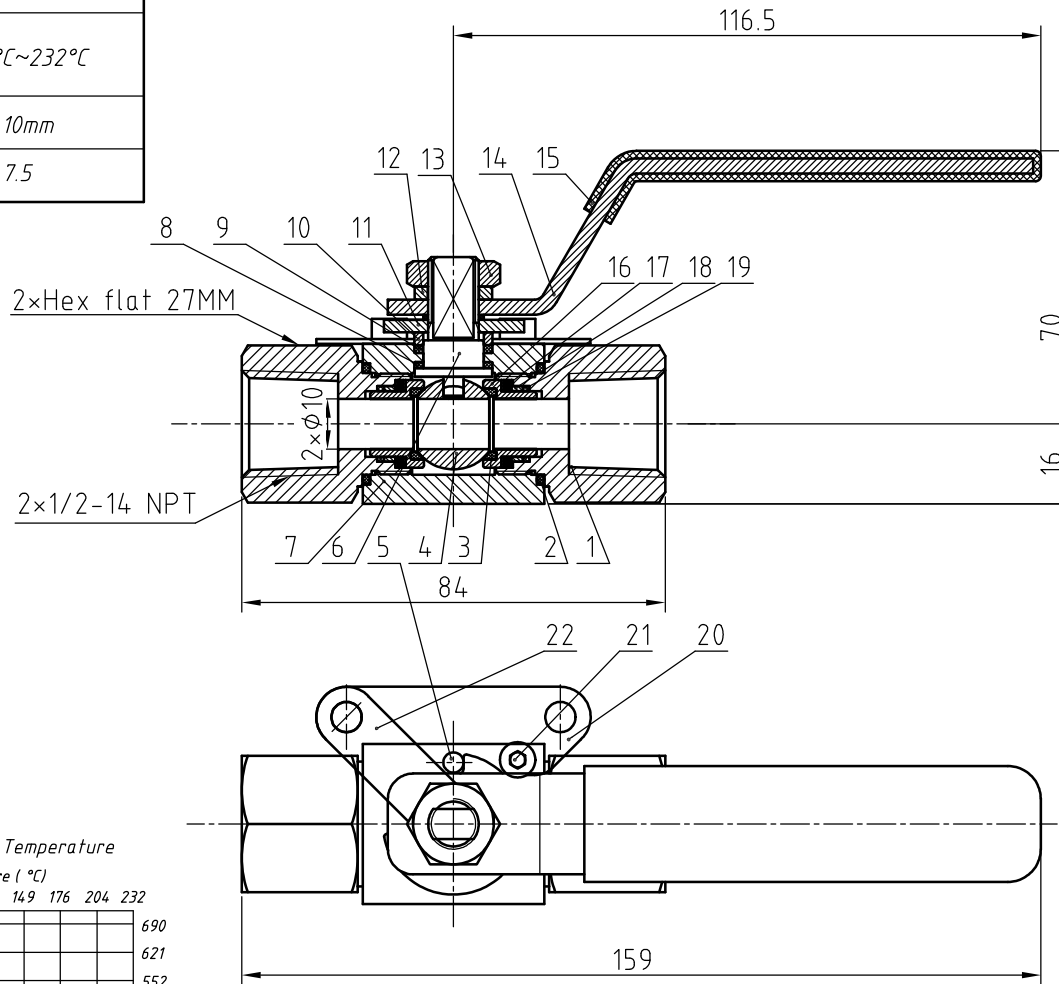


Valve Features	
Maximum working pressure	10000psig
Working temperature	-60°C~232°C
Orifice	10mm
Cv	7.5



NOTE: Dimensions for reference only.

IDX	Designation	Materials
1	End Connection	316 L/A479
2	O-ring	EPDM
3	Seat	PEEK
4	Ball	316 L/A479
5	Stop Pin	316 L/A479
6	Stem	316 L/A479
7	Body	316 L/A479
8	Lower Packing	PEEK
9	Stem Packing	RPTFE
10	Stem Washer	316 L/A479
11	Stop Block	Stainless Steel
12	Spring Washer	Stainless Steel
13	Stem Nut	Stainless Steel
14	Handle	Stainless Steel
15	Sleeve	PVC
16	Valve seat guard ring	316 L/A479
17	Disc spring	Stainless Steel
18	Thrust washer	316 L/A479
19	Sealing retaining ring	PFA
20	Locking Device	Stainless Steel
21	Screw	Stainless Steel
22	Locking Device	Stainless Steel

Linear unit of size: mm		<i>Ball Valve</i>		НТА-ПРОМ ТЕХНОЛОГИИ РЕШЕНИЯ СЕРВИС	
signature	date				
design		versions	1	proportion	1:1.5
audit				Page 1/1	
ratify					
BVN4-2A-F-8N-PK-RP-LD-S					