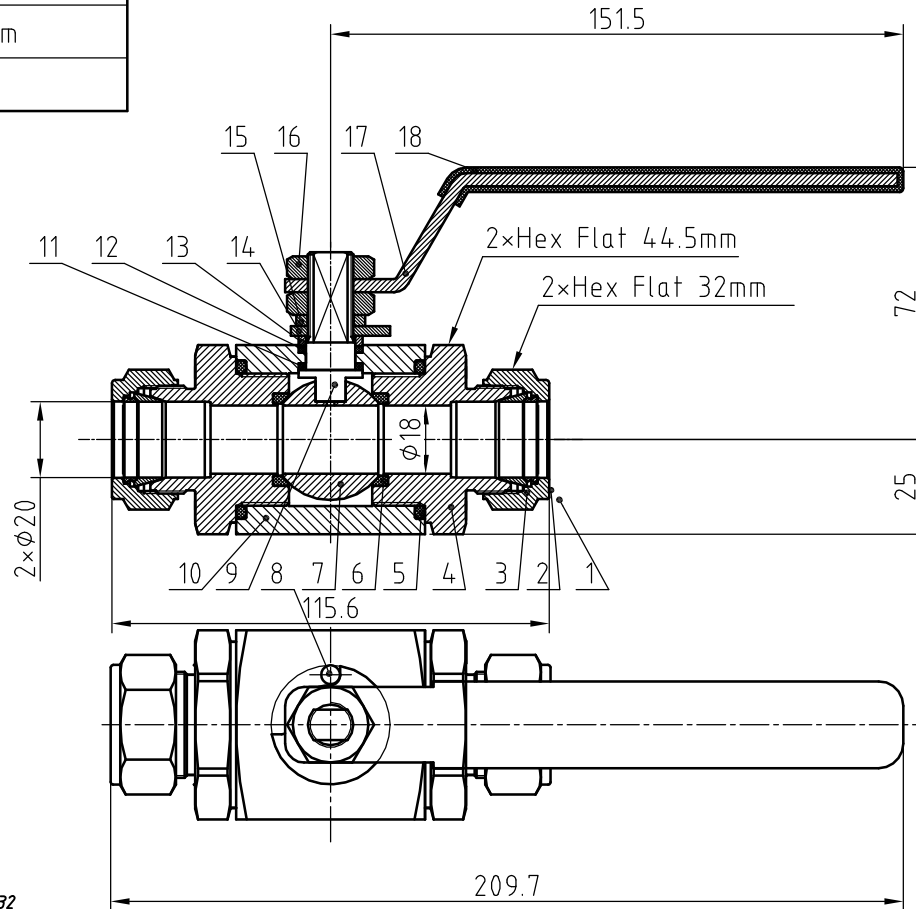
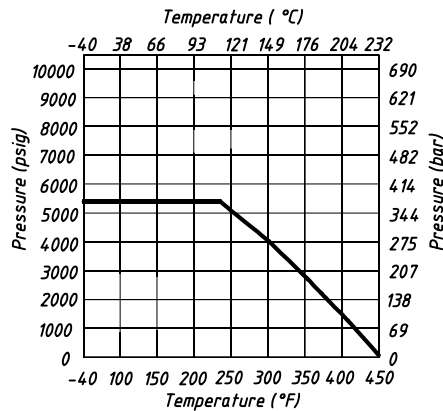


Valve Features	
Maximum working pressure	5500psig
Working temperature	-40°C~232°C
Orifice	18mm
Cv	30



item	Component	Materials
1	Nut	316 L/A4 79
2	Rear Ferrules	316 L/A4 79
3	Front Ferrules	316 L/A4 79
4	End Connention	316 L/A4 79
5	O-ring	FKM
6	Seat	PEEK
7	Ball	316 L/A4 79
8	Stop Pin	Stainless Steel
9	Stem	316 L/A4 79
10	Body	316 L/A4 79
11	Lower Packing	PEEK
12	Stem Packing	PTFE
13	Stem Washer	316 L/A4 79
14	Stop Block	Stainless Steel
15	Spring Washer	Stainless Steel
13	Stem Nut	Stainless Steel
14	Handle	Stainless Steel
15	Sleeve	PVC



NOTE:Dimensions for reference only.

Linear unit of size: mm		Кран шаровый		НТА-ПРОМ ТЕХНОЛОГИИ РЕШЕНИЯ СЕРВИС	
signature	date				
design		versions	1	proportion	1:2
audit				Page 1/1	
ratify					
BVN4-2C-D-20M-PK-S					