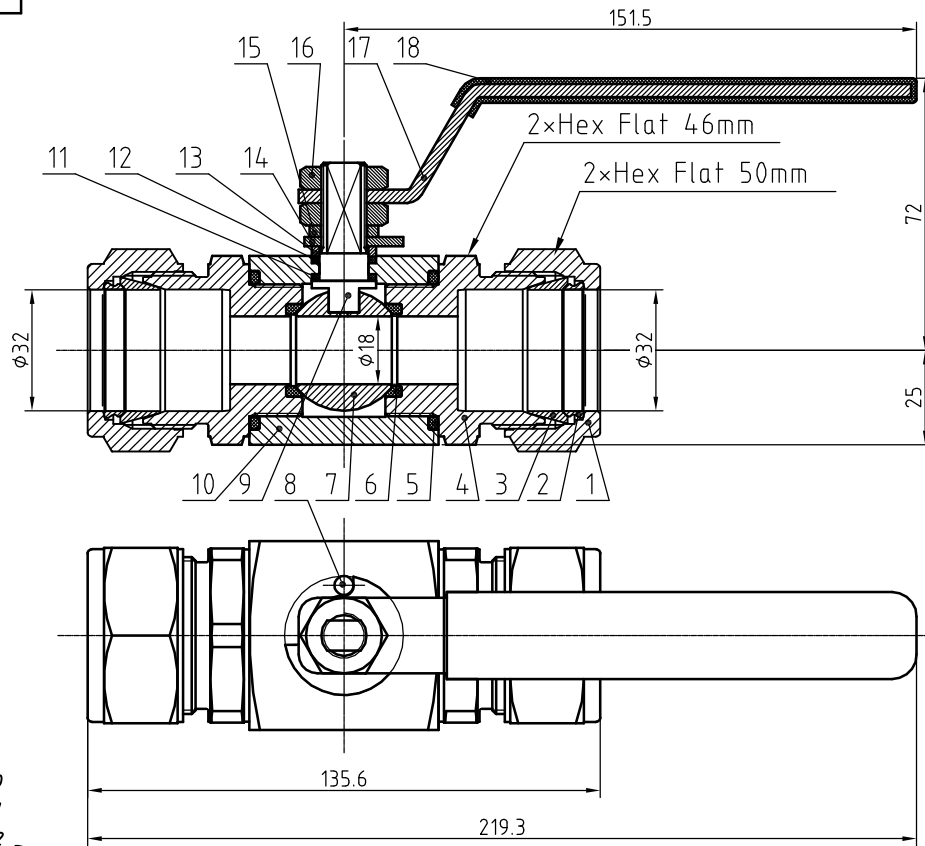
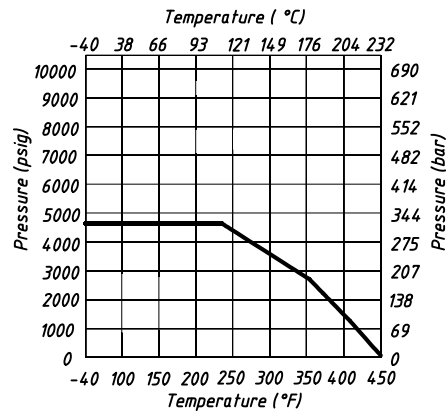


Valve Features	
Maximum working pressure	4700psig
Working temperature	-40°C~232°C
Orifice	18mm
CV	30



IDX	Designation	Materials
1	Nut	316 L/A479
2	Rear Ferrules	316 L/A479
3	Front Ferrules	316 L/A479
4	End Connection	316 L/A479
5	O-ring	FKM
6	Seat	PEEK
7	Ball	316 L/A479
8	Stop pin	316 L/A479
9	Stem	316 L/A479
10	Body	316 L/A479
11	Lower Packing	PEEK
12	Stem Packing	PTFE
13	Stem Washer	316 L/A479
14	Stop Block	Stainless Steel
15	Spring Washer	Stainless Steel
16	Stem Nut	316 L/A479
17	Handle	316 L/A479
18	Sleeve	PVC



NOTE: Dimensions for reference only.

Linear unit of size: mm		Кран шаровый		НТА-ПРОМ ТЕХНОЛОГИИ РЕШЕНИЯ СЕРВИС	
signature	date				
design		versions	1	proportion	1:1.5
audit				Page 1/1	
ratify					
BVN4-2C-D-32M-PK-S					