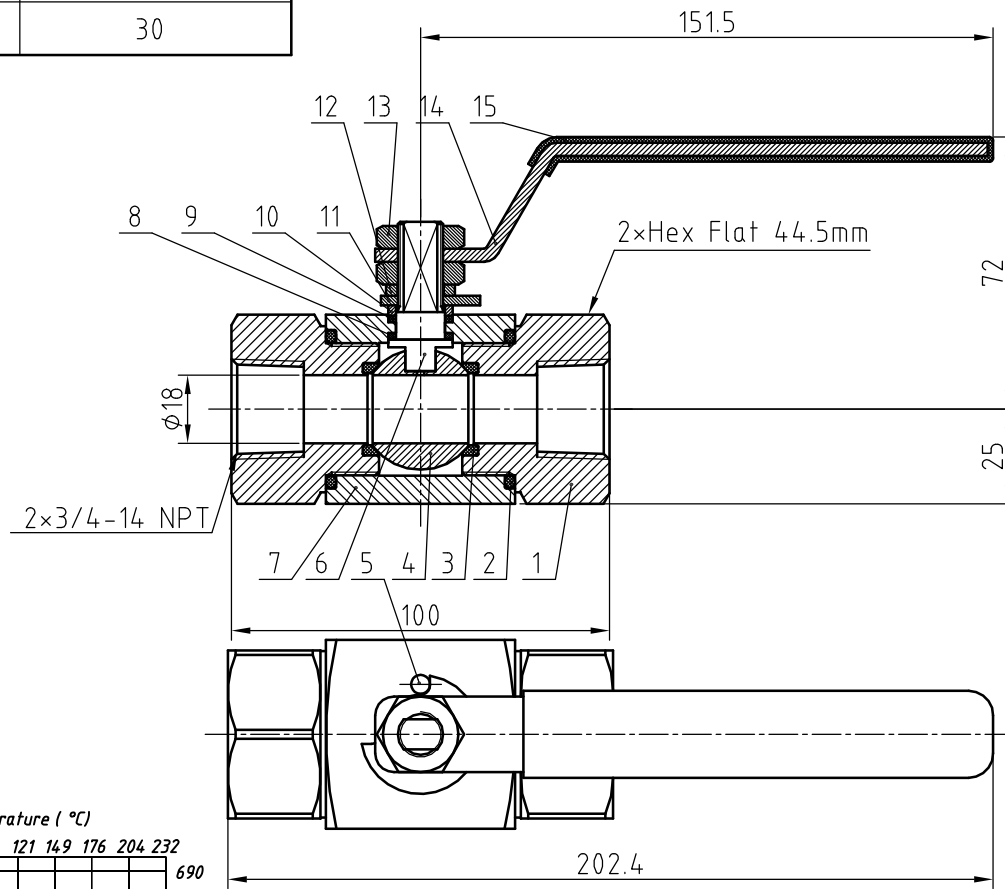
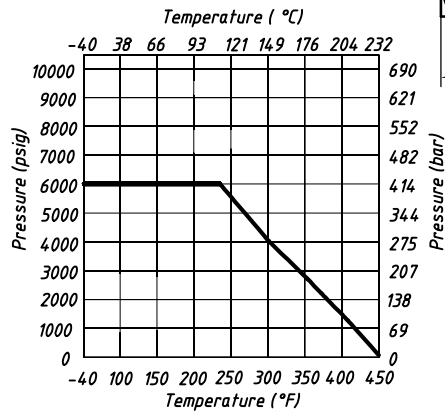


Valve Features	
Maximum working pressure	6000psig
Working temperature	-40°C~232°C
Orifice	18mm
Cv	30



item	Component	Materials
1	End Connention	316 L/A479
2	O-ring	FKM
3	Seat	PEEK
4	Ball	316 L/A479
5	Stop Pin	Stainless Steel
6	Stem	316 L/A479
7	Body	316 L/A479
8	Lower Packing	PEEK
9	Stem Packing	PTFE
10	Stem Washer	316 L/A479
11	Stop Block	Stainless Steel
12	Spring Washer	Stainless Steel
13	Stem Nut	Stainless Steel
14	Handle	Stainless Steel
15	Sleeve	PVC



NOTE:Dimensions for reference only.

Linear unit of size: mm		<b>Кран шаровый</b>		<b>НТА-ПРОМ</b> ТЕХНОЛОГИИ РЕШЕНИЯ СЕРВИС	
signature	date				
design		versions	1	proportion	1:2
audit				Page 1/1	
ratify					
<b>BVN4-2C-F-12N-PK-S</b>					