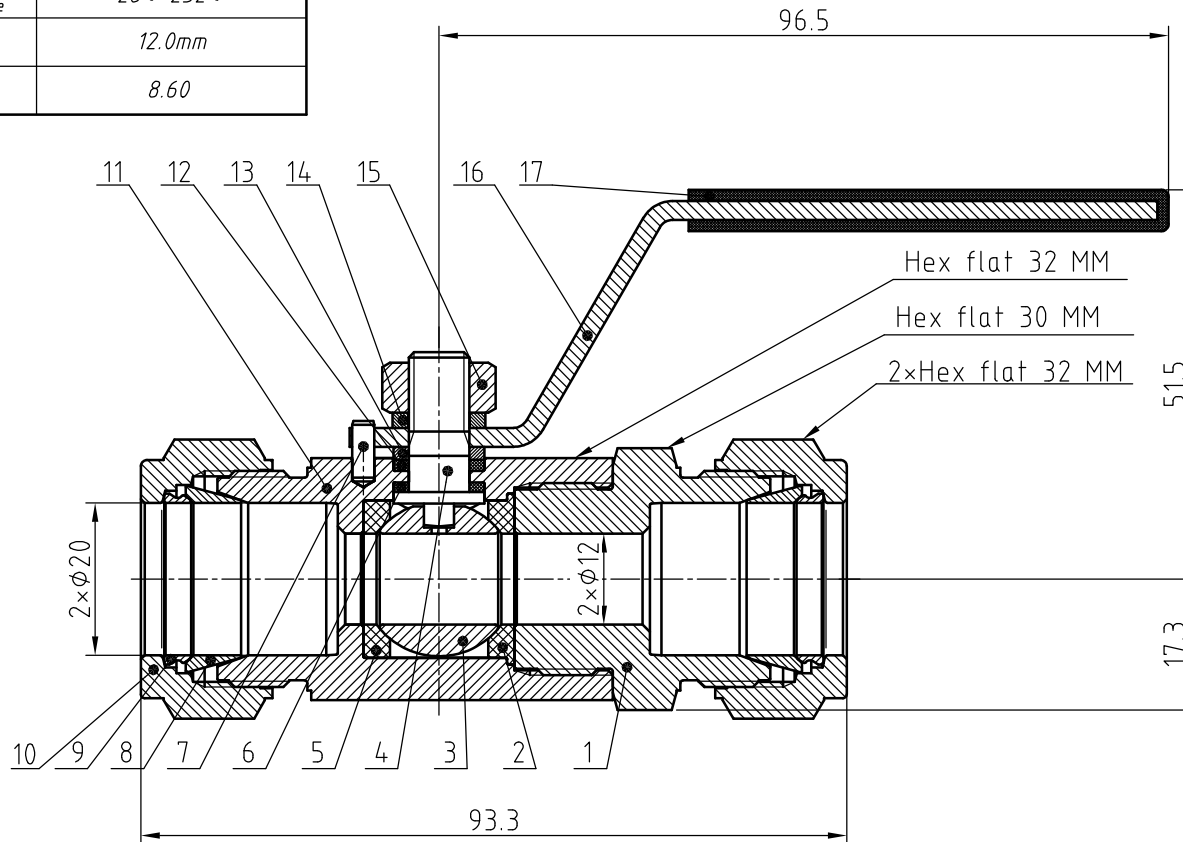
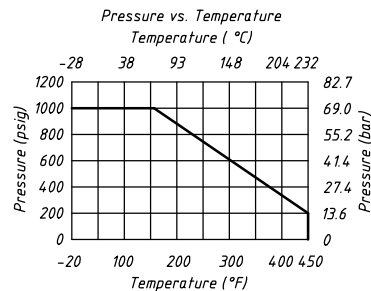


Valve Features	
Maximum working pressure	1000psig
Working temperature	-28°C~232°C
Orifice	12.0mm
Cv	8.60



IDX	Designation	Materials
1	End Connection	316 L/A479
2	Back Seat	PTFE
3	Ball	316 L/A479
4	Stem	316 L/A479
5	Front Seat	PTFE
6	Lower Packing	PTFE
7	Stop Pin	Stainless Steel
8	Front Ferrules	316 L/A479
9	Rear Ferrules	316 L/A479
10	Nut	316 L/A479
11	Body	316 L/A479
12	Upper Packing	PTFE
13	Washer	316 L/A479
14	Gasket	Stainless Steel
15	Stem Nut	Stainless Steel
16	Handle	Stainless Steel
17	Sleeve	PVC



NOTE: Dimensions for reference only.

Linear unit of size: mm		<i>Ball Valve</i>		<b>НТА-ПРОМ</b> ТЕХНОЛОГИИ РЕШЕНИЯ СЕРВИС	
signature	date				
design		versions	1	proportion	1:1
audit				Page 1/1	
ratify					
<i>BVN5-2D-D-20M-S</i>					