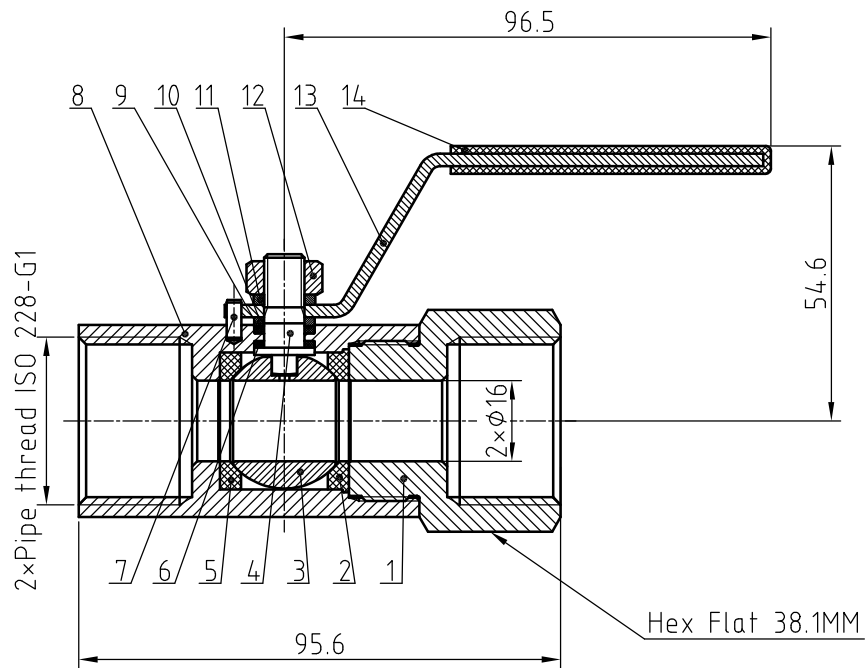
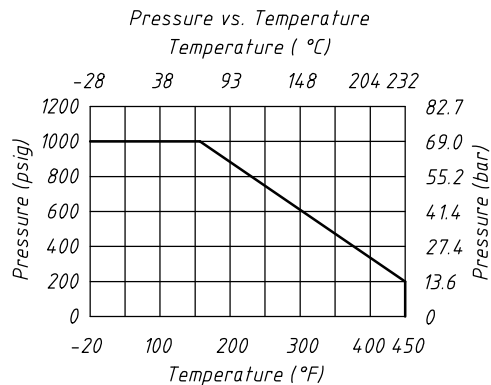


Valve Features

Maximum working pressure	1000psig
Working temperature	-28°C~232°C
Orifice	16.0mm
Cv	17.35



IDX	Designation	Materials
1	End Connection	316L/A479
2	Rear Seat	PTFE
3	Ball	316L/A479
4	Stem	316L/A479
5	Front Seat	PTFE
6	Lower Packing	PTFE
7	Stop Pin	Stainless Steel
8	Body	316L/A479
9	Upper packing	PTFE
10	Washer	316L/A479
11	Gasket	Stainless Steel
12	Stem Nut	Stainless Steel
13	Handle	Stainless steel
14	Sleeve	PVC



NOTE:Dimensions for reference only.

Linear unit of size: mm		<i>Ball Valve</i>		HTA-ПРОМ ТЕХНОЛОГИИ РЕШЕНИЯ СЕРВИС	
signature	date				
design		versions	1	proportion	1:1.5
audit				Page 1/1	
ratify					
BVN5-2E-F-16G-S					