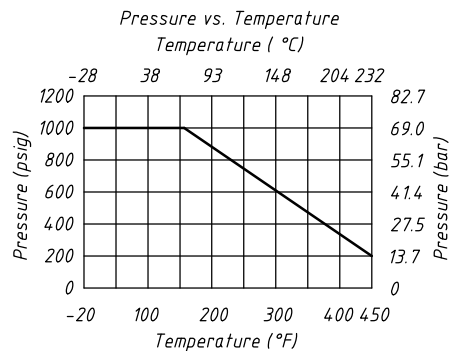
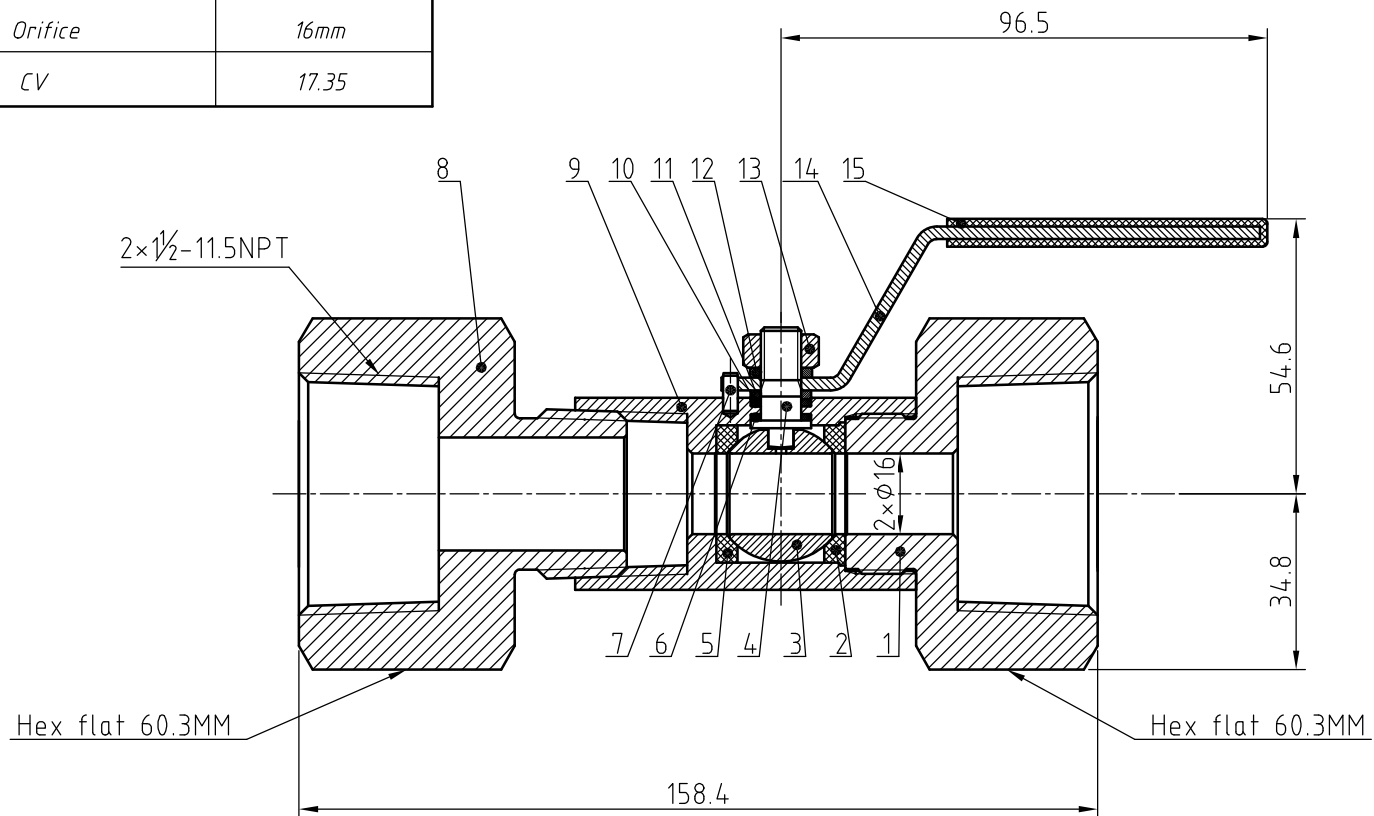


Valve Features	
Maximum working pressure	1000psig
Working temperature	-28°C~232°C
Orifice	16mm
CV	17.35

IDX	Component	Material
1	End Connection	316 L/A479
2	Rear valve seat	PTFE
3	Ball	316 L/A479
4	Stem	316 L/A479
5	Front valve seat	PTFE
6	Lower packing	PTFE
7	Stop Pin	Stainless steel
8	Adapter	316L/A479
9	Body	316 L/A479
10	Upper Packing	PTFE
11	Washer	316 L/A479
12	Gasket	Stainless steel
13	Stem Nut	Stainless steel
14	Handle	Stainless steel
15	Sleeve	PVC



NOTE: Dimensions for reference only.

Linear unit of size: mm		<i>Ball valve</i>		НТА-ПРОМ ТЕХНОЛОГИИ РЕШЕНИЯ СЕРВИС	
signature	date				
design		versions	1	proportion	1:1.5
audit				Page 1/1	
ratify					
BVN5-2E-F-24N-S					