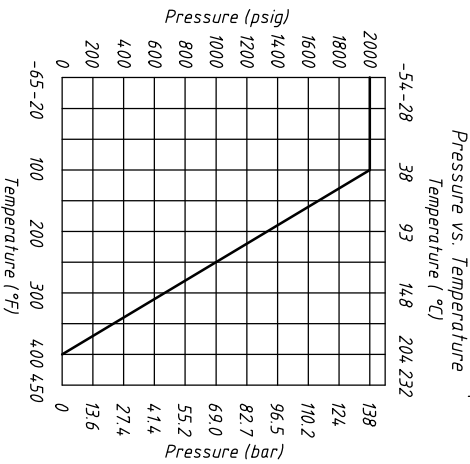
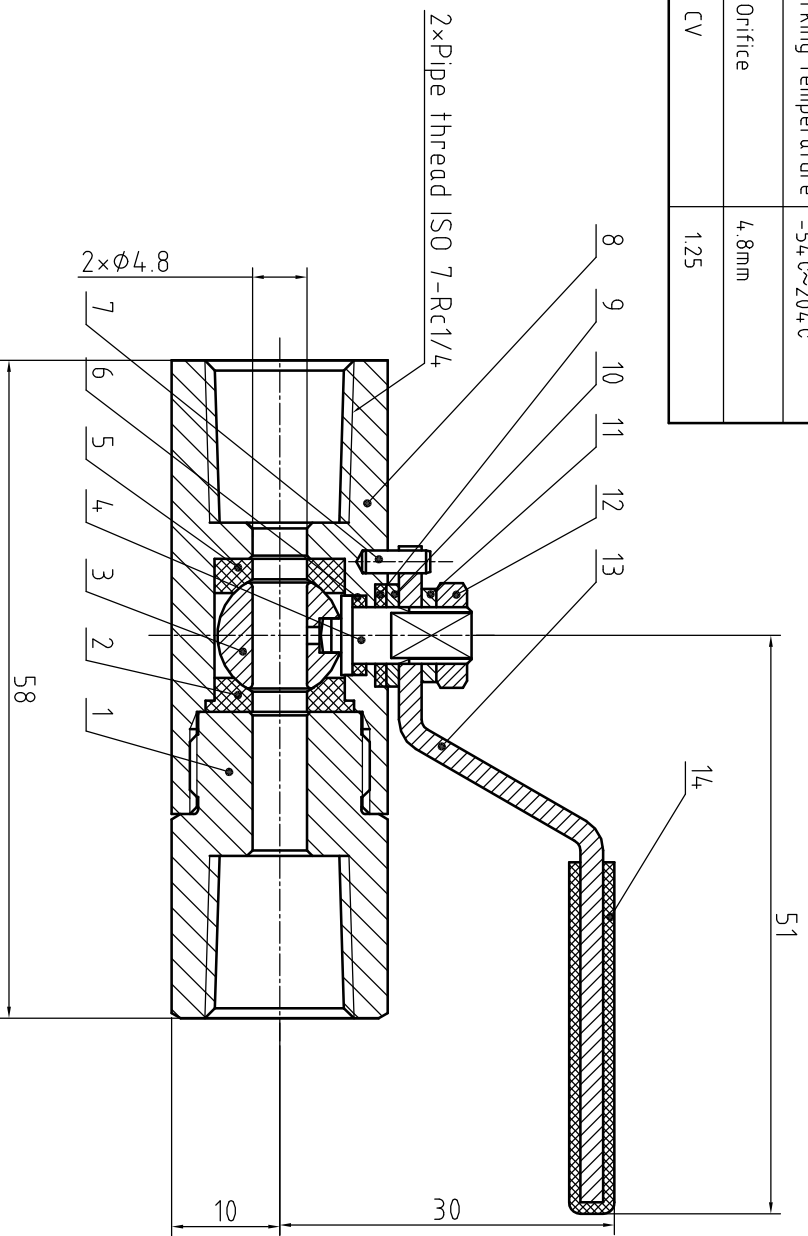
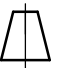




Valve Features	
Maximum working pressure	2000psig
Working temperature	-54°C~204°C
Orifice	4.8mm
CV	1.25



NOTE: Dimensions for reference only.

IDX	Designation	Materials
1	End Connection	316L / A4 79
2	Back Seat	PFA
3	Ball	316L / A4 79
4	Stem	316L / A4 79
5	Front Seat	PFA
6	Lower Packing	PFA
7	Stop Pin	Stainless steel
8	Body	316L / A4 79
9	Upper Packing	PFA
10	Washer	316L / A4 79
11	Gasket	Stainless steel
12	Cone-disk Spring	Stainless steel
13	Handle	Stainless steel
14	Sleeve	PVC

Linear unit of size: mm		signature		date	
design		versions		proportion	
audit		1		1:1	
ratify		 		Page 1/1	
<p style="text-align: center; font-size: 2em;"><i>Ball valve</i></p>		 <p>ТЕХНОЛОГИИ РЕШЕНИЯ СЕРВИС</p>			
		<p style="font-size: 1.5em;"><b>BVM6-2A-F-4R-S</b></p>			