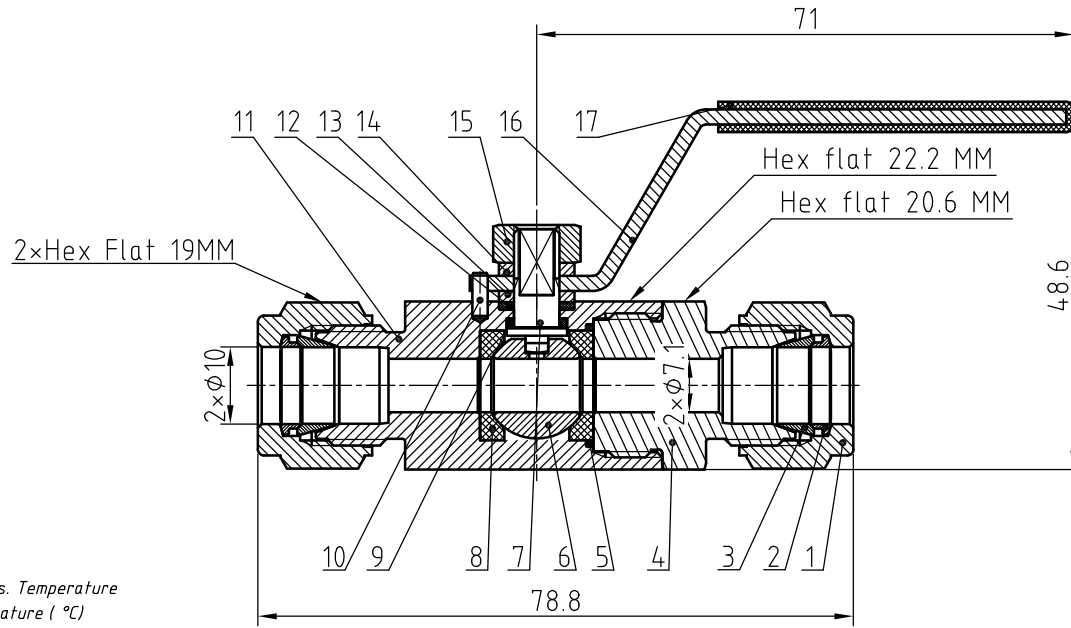
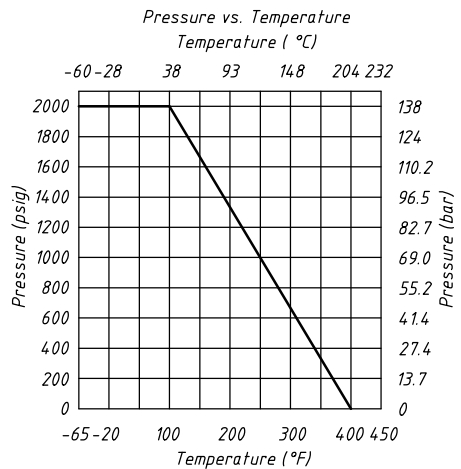


Valve Features	
Maximum working pressure	2000psig
Working temperature	-60°C~204°C
Orifice	7.1mm
Cv	2.5



IDX	Designation	Materials
1	Nut	316 L/A4 79
2	Rear Ferrules	316 L/A4 79
3	Front Ferrules	316 L/A4 79
4	End Connection	316 L/A4 79
5	Seating Gasket	316 L/A4 79
6	Ball	316 L/A4 79
7	Stem	316 L/A4 79
8	Front valve seat	PFA
9	Lower packing	PFA
10	Stop Pin	Stainless Steel
11	Body	316 L/A4 79
12	upper packing	RPTFE
13	Washer	316 L/A4 79
14	Gasket	Stainless Steel
15	Stem Nut	Stainless Steel
16	Handle	Stainless Steel
17	Sleeve	PVC



NOTE: Dimensions for reference only.
The color of the handle is RAL 3020.

Linear unit of size: mm		<i>Ball Valve</i>		НТА-ПРОМ ТЕХНОЛОГИИ РЕШЕНИЯ СЕРВИС	
signature	date				
design		versions	1	proportion	1:1
audit				Page 1/1	
ratify					
BVN6-2B-D-10M-RP-RD-S					