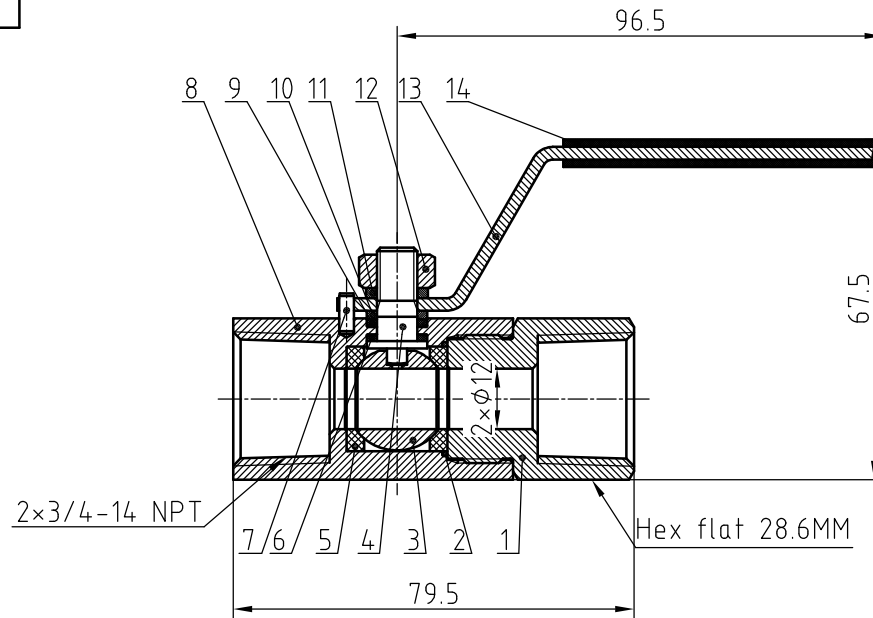
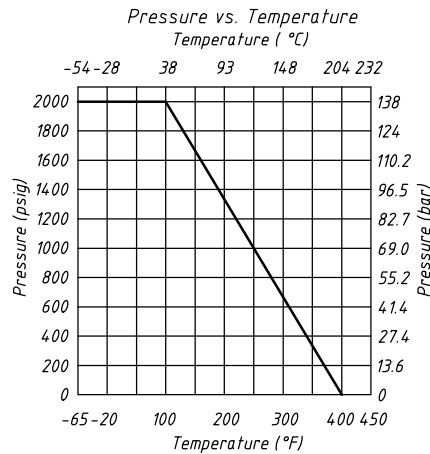


Valve Features	
Maximum working pressure	2000psig
Working temperature	-54°C~204°C
Orifice	12mm
Cv	8.60



IDX	Designation	Materials
1	End Connection	316 L/A479
2	Seat Packing	316 L/A479
3	Ball	316 L/A479
4	Stem	316 L/A479
5	Front Seat	PFA
6	Lower Packing	PFA
7	Stop Pin	Stainless Steel
8	Body	316 L/A479
9	Upper Packing	RPTFE
10	Washer	316 L/A479
11	Gasket	Stainless Steel
12	Stem Nut	Stainless Steel
13	Handle	Stainless Steel
14	Sleeve	PVC



NOTE: Dimensions for reference only;

Linear unit of size: mm		<i>Ball valve</i>		НТА-ПРОМ ТЕХНОЛОГИИ РЕШЕНИЯ СЕРВИС	
signature	date				
design		versions	1	proportion	1:1.5
audit				Page 1/1	
ratify					
BVN6-2D-F-12N-S					