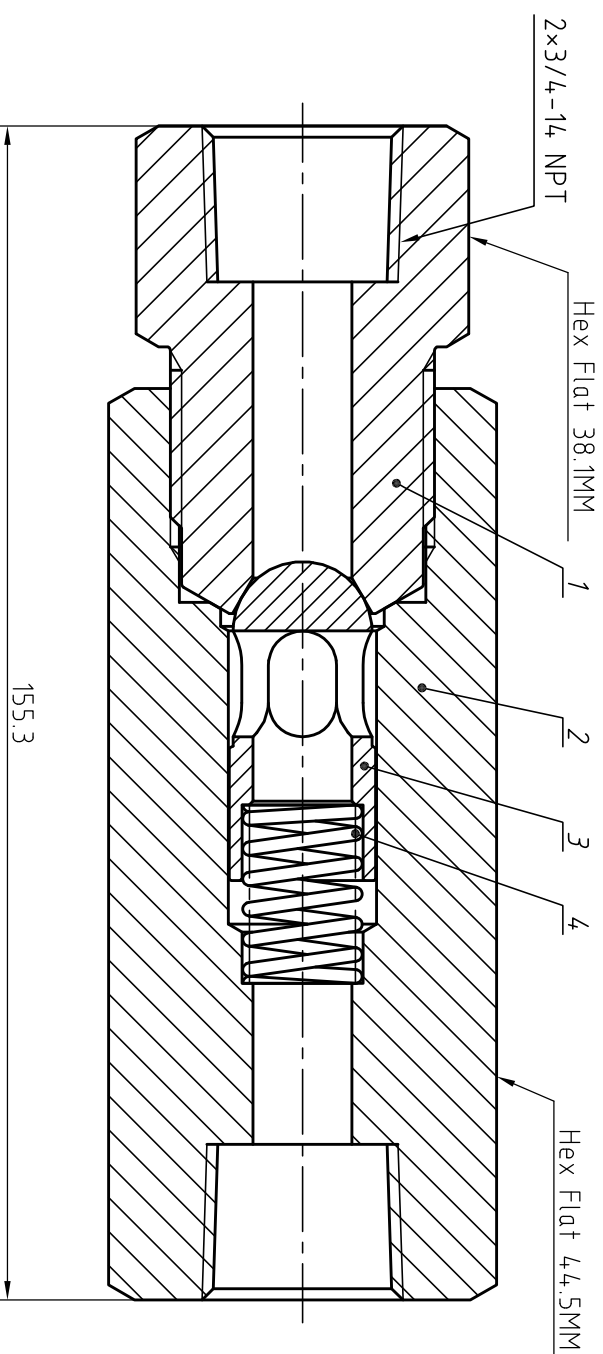


Valve Features	
Maximum working pressure	10000 psig
Working temperature	-79°C~204°C
Orifice	13.1mm
Cv	4.7

IDX	Designation	Materials
1	Cover Gland	316 SS/A4.79
2	Valve Body	316 SS/A4.79
3	Ball Poppet	630
4	Spring	316 SS/A4.79



Linear unit of size: mm		signature	date
design			
audit			
ratify			

<i>Check Valve</i>			
versions	1	proportion	2:1
		Page 1/1	

HTA-ПРОМ
 ТЕХНОЛОГИИ РЕШЕНИЯ СЕРВИС

HC VN10B-2-F12N-S

NOTE: Dimensions for reference only.