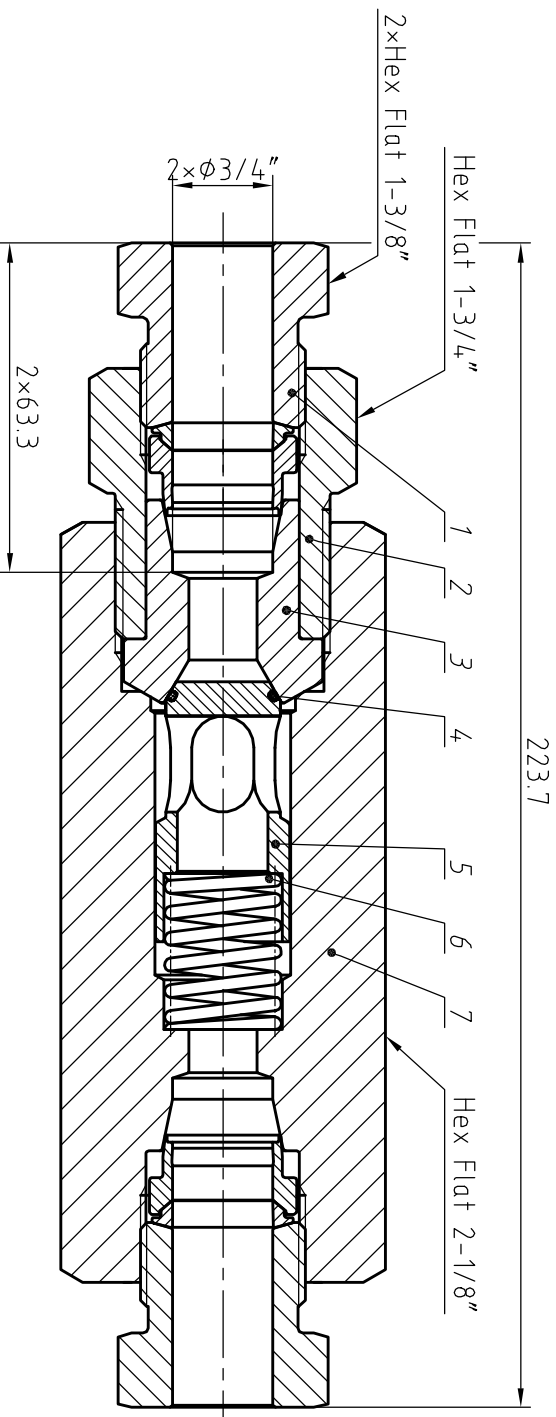


Valve Features	
Maximum working pressure	15000 psig
Working temperature	-17.8°C~204°C
Orifice	13.1mm
Cracking pressure	14 psig-26 psig

Item	Component	Material
1	Nut	316SS/A4.79
2	Cover Gland	316SS/A4.79
3	Cover	316SS/A4.79
4	O-ring	FKM
5	Poppet	316SS/A4.79
6	Spring	Stainless steel
7	Valve Body	316SS/A4.79



Linear unit of size: mm	
design	signature
audit	date
ratify	

Check Valve

versions	1	proportion	1.5:1
		Page 1/1	

HTA-ПРОМ
ТЕХНОЛОГИИ РЕШЕНИЯ СЕРВИС

HCVM15-2-F12LP-S

NOTE: Dimensions for reference only.