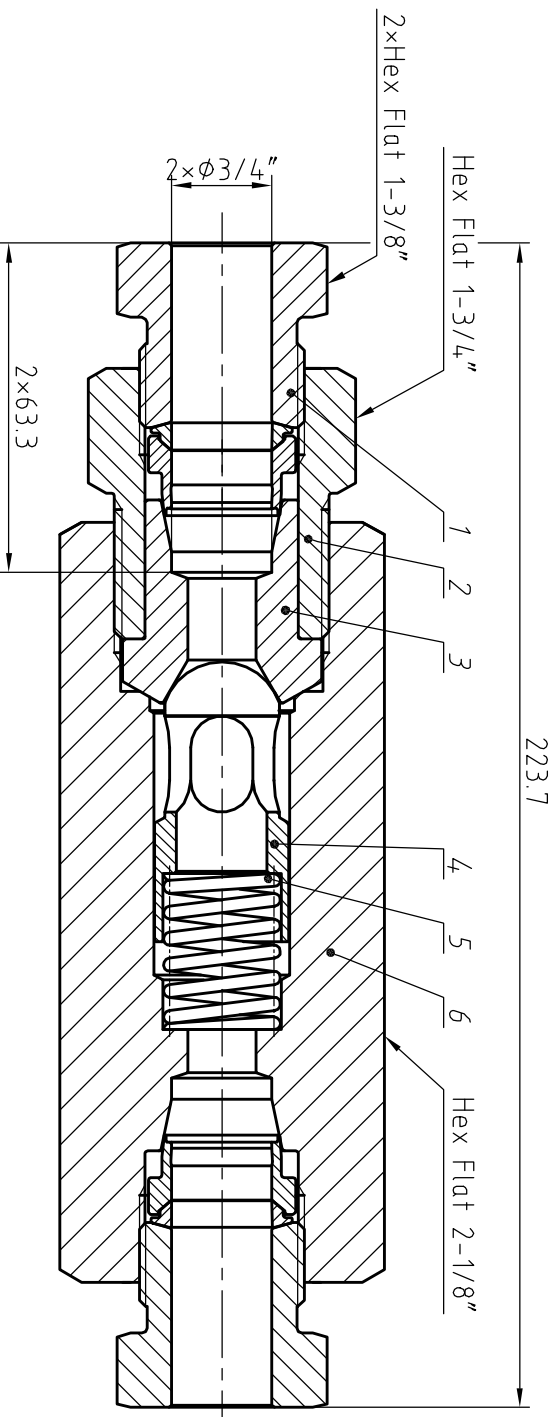


Valve Features	
Maximum working pressure	15000 psig
Working temperature	-79°C~427°C
Orifice	13.1mm

Item	Component	Material
1	Nut	316SS/A479
2	Cover Gland	316SS/A479
3	Cover	316SS/A479
4	Poppet	316SS/A479
5	Spring	Stainless steel
6	Valve Body	316SS/A479



Linear unit of size: mm	
design	signature
audit	date
ratify	

Check Valve

versions	1	proportion	1.5:1
		Page	1/1

**HTA-ПРОМ**  
ТЕХНОЛОГИИ РЕШЕНИЯ СЕРВИС

HC VN15B-2-F12LP-S

NOTE: Dimensions for reference only.