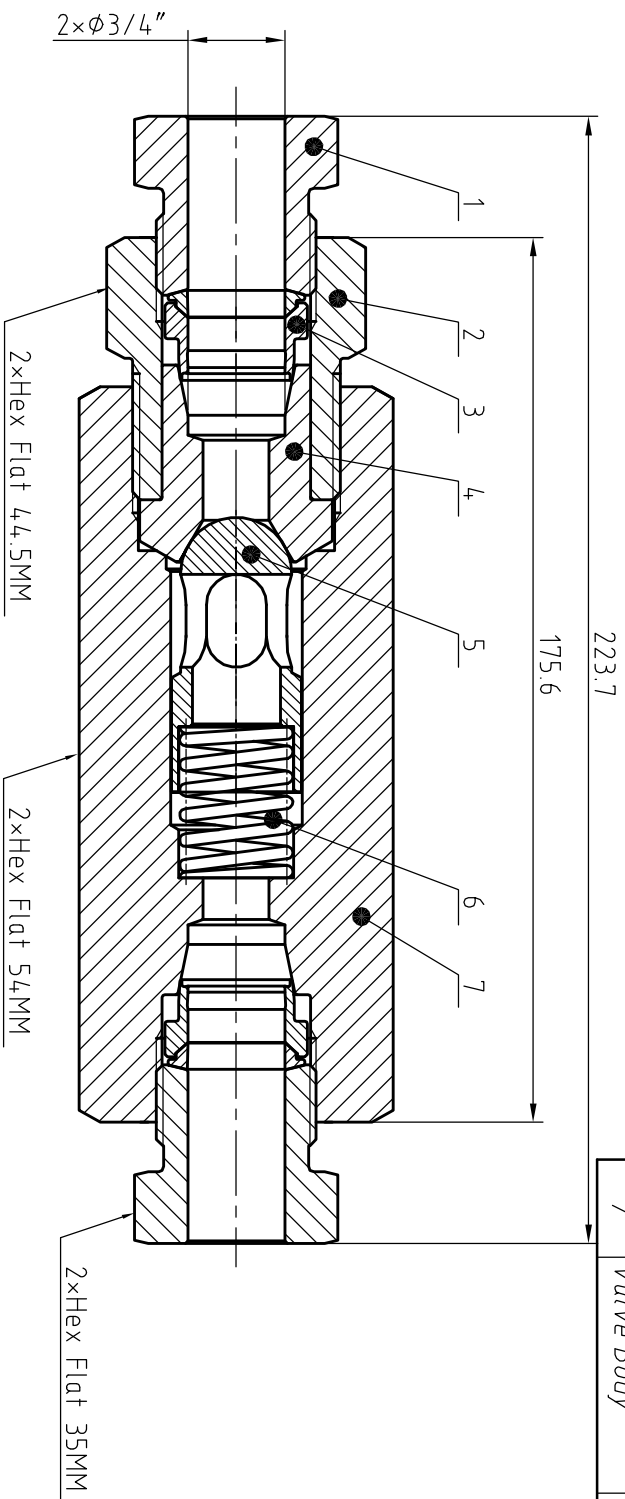


Valve Features	
Maximum working pressure	20000 psig
Working temperature	-79°C~427°C
Orifice	13.1mm

IDX	Designation	Materials
1	Gland	316 SS/A4.79
2	Cover Gland	316 SS/A4.79
3	Collar	316 SS/A4.79
4	Cover	316 SS/A4.79
5	Ball Poppet	630
6	Spring	304
7	Valve Body	316 SS/A4.79



Linear unit of size: mm		<i>Check Valve</i>		HTA-ПРОМ	
				ТЕХНОЛОГИИ РЕШЕНИЯ СЕРВИС	
design	signature	date	versions	1	proportion
audit					2:1
ratify					Page 1/1

NOTE: Dimensions for reference only.

**HTA-ПРОМ**  
ТЕХНОЛОГИИ РЕШЕНИЯ СЕРВИС  
**HCVM20B-2-F12MP-S**