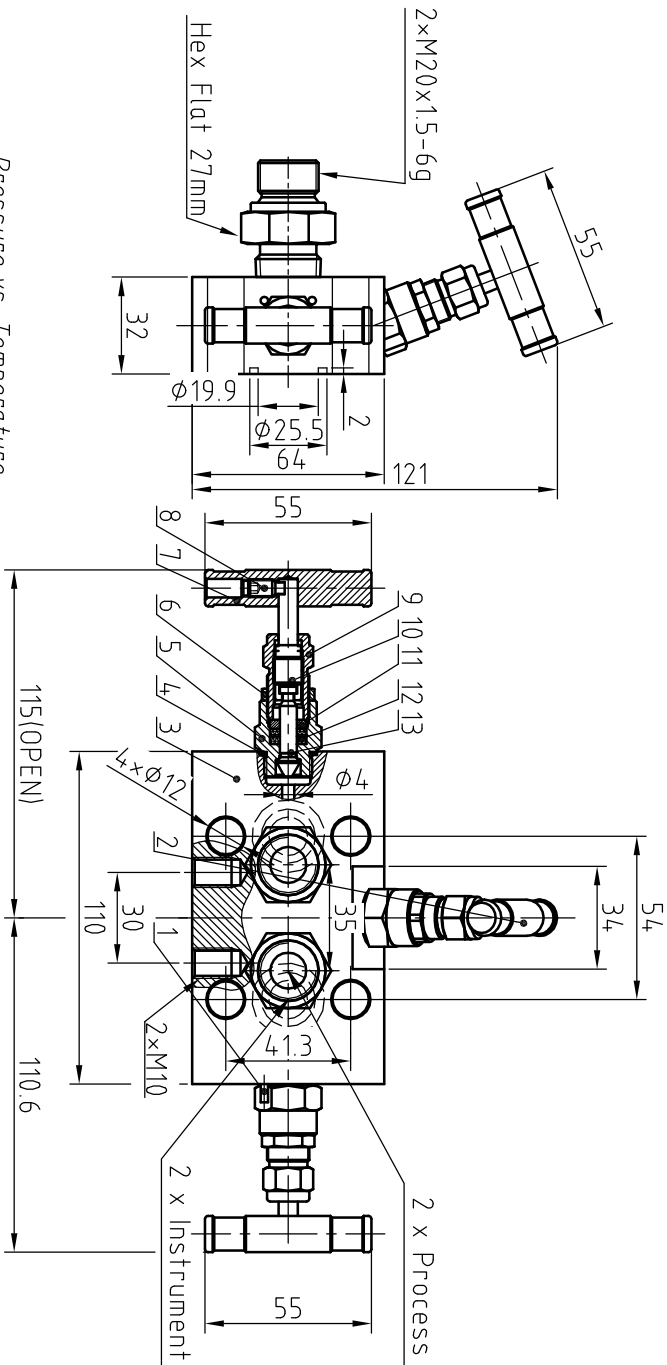
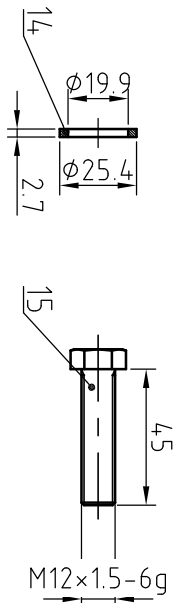
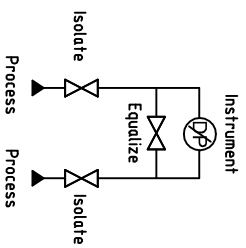
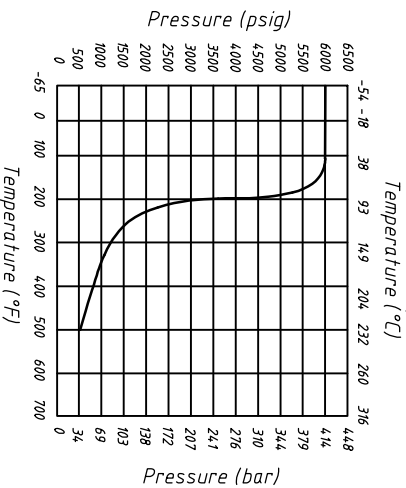


Valve Features	
Maximum working pressure	6000psig
Working temperature	-54°~232°
Orifice	4mm
CV	0.35



IDX	Designation	Materials
1	Grooved pin	Stainless Steel
2	Handle	Anodized Aluminium
3	Body	316 L/A479
4	Gasket	316 L/A479
5	Bonnet	316 L/A479
6	Lock nut	316 L/A479
7	Handle	Anodized Aluminium
8	Set screw	Stainless Steel
9	Gland	316 L/A479
10	Upper Stem	316 L/A479
11	Packing Seat	316 L/A479
12	Padding	PTFE
13	Lower Stem	316 L/A479
14	Gasket	PTFE
15	Bolt	304 SS/A479

Pressure vs. Temperature



Linear unit of size: mm	
design	signature
audit	date
ratify	

3-Valve Manifolds	
versions	1
proportion	1:2.5

HTA-ПРОМ  
ТЕХНОЛОГИИ РЕШЕНИЯ СЕРВИС

MN3V-2-D1-M20M15-IB-  
OC-NTA-S

NOTE: Dimensions for reference only.