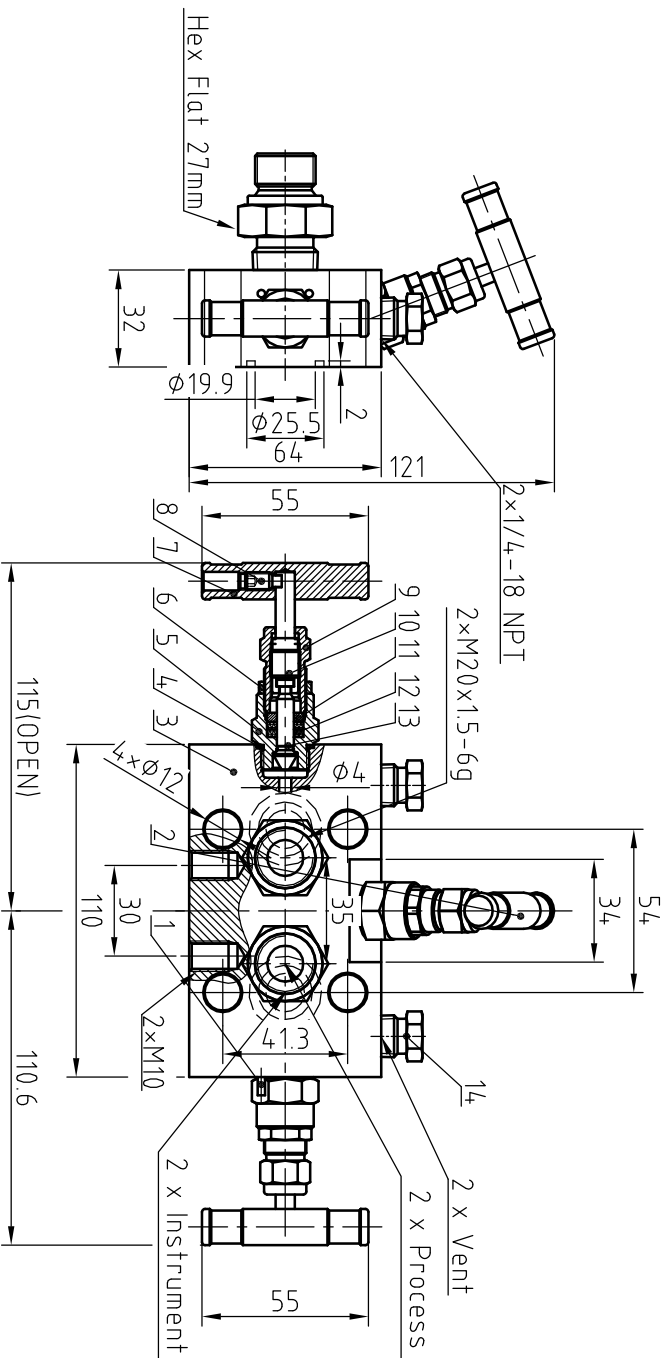
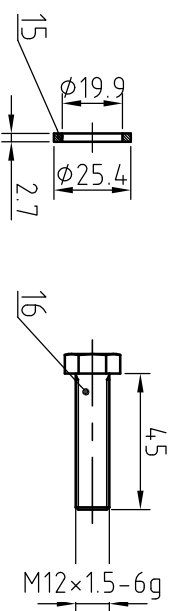
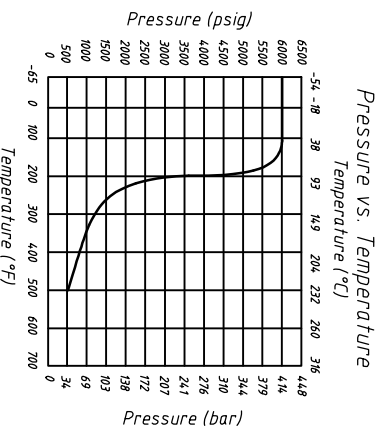
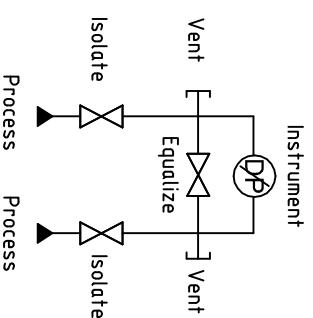


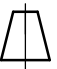

Valve Features	
Maximum working pressure	6000psig
Working temperature	-54 ^o ~232 ^o C
Orifice	4mm
CV	0.35



IDX	Designation	Materials
1	Grooved pin	Stainless Steel
2	Handle	Anodized Aluminium
3	Body	316 L/A4.79
4	Gasket	316 L/A4.79
5	Bonnet	316 L/A4.79
6	Lock nut	316 L/A4.79
7	Handle	Anodized Aluminium
8	Set screw	Stainless Steel
9	Gland	316 L/A4.79
10	Upper Stem	316 L/A4.79
11	Packing Seat	316 L/A4.79
12	Padding	PTFE
13	Lower Stem	316 L/A4.79
14	Pipe Plug	316 L/A4.79
15	Gasket	PTFE
16	Bolt	Carbon steel with white zinc plating



NOTE: Dimensions for reference only.

Linear unit of size: mm		3-Valve Manifolds		HTA-ПРОМ ТЕХНОЛОГИИ РЕШЕНИЯ СЕРВИС	
design	signature	versions	1	proportion	1:2.5
audit	date	 		Page 1/1	MN3V-2-D1-M20M15-1B- P4N-OC-NTA-S
ratify					