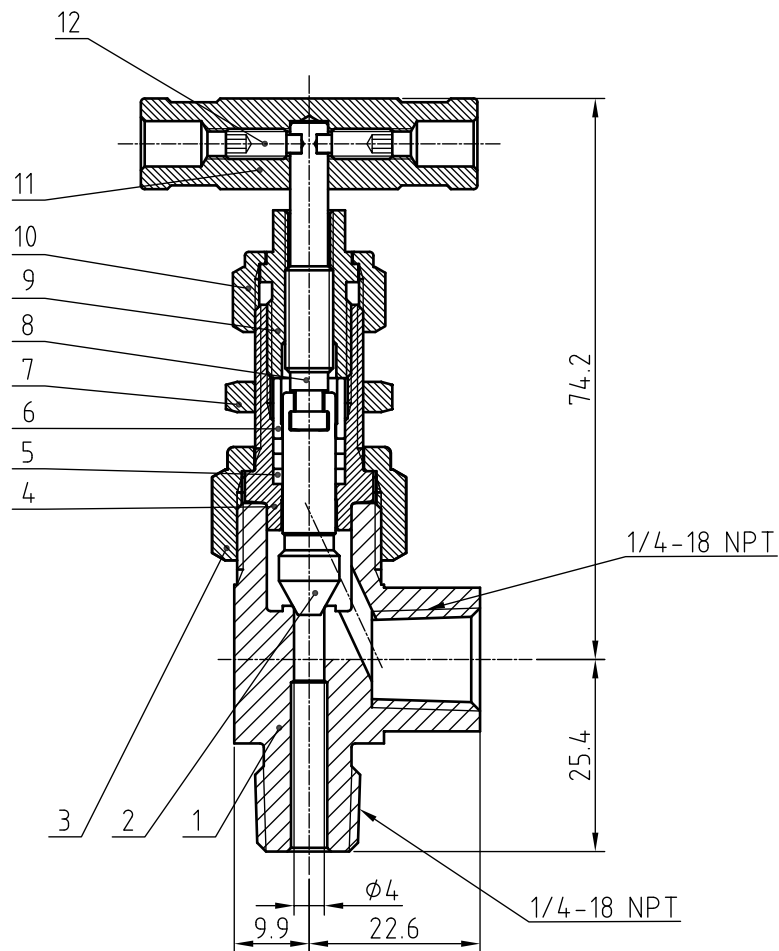
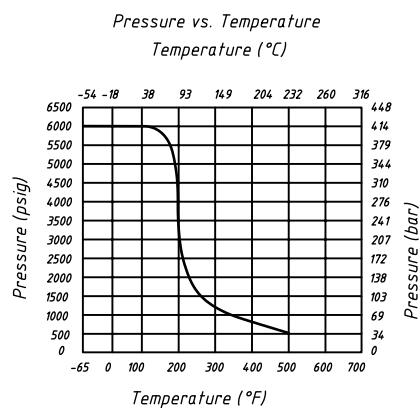


Valve Features	
Maximum working pressure	6000 psig
Working temperature	-54°C~232°C
Orifice	0.16in.(4.0mm)
Cv	0.35



Item	Component	Materials
1	Body	316 L/A479
2	Lower Stem	316 L/A479
3	Union Nut	316 L/A479
4	Bonnet	316 L/A479
5	Packing	PTFE
6	Gland	316 L/A479
7	Panel Nut	316 L/A479
8	Upper Stem	316 L/A479
9	Packing Bolt	316 L/A479
10	Lock Nut	316 L/A479
11	Handle	Anodized aluminium
12	Set Screw	304



NOTE:Dimensions for reference only.

Linear unit of size: mm		<i>Needle Valve</i>		НТА-ПРОМ ТЕХНОЛОГИИ РЕШЕНИЯ СЕРВИС	
signature	date				
design		versions	1	proportion	1:1
audit				Page 1/1	
ratify					
VN8-2A-MF-4N-A-N-S					