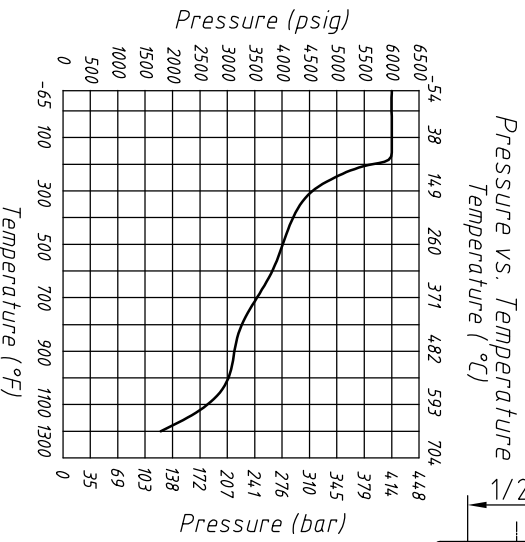
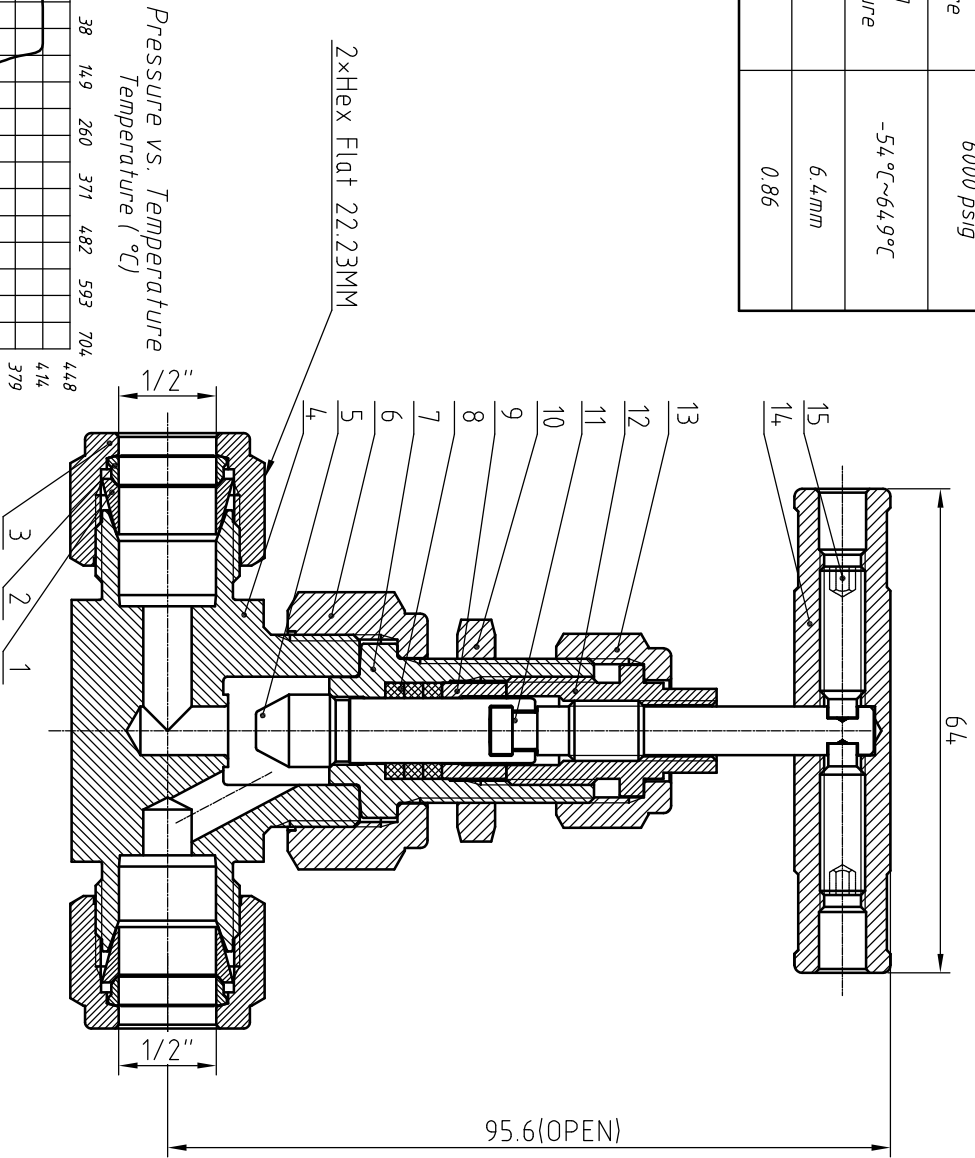


Valve Features	
Maximum working pressure	6000 psig
Working temperature	-54°C~-64.9°C
Orifice	6.4mm
Cv	0.86



Item	Component	Materials
1	Front Ferrules	316 L/A4.79
2	Rear Ferrules	316 L/A4.79
3	Nut	316 L/A4.79
4	Body	316 L/A4.79
5	Lower Stem	316 L/A4.79
6	Union Nut	316 L/A4.79
7	Bonnet	316 L/A4.79
8	Packing	Graphite
9	Gland	316 L/A4.79
10	Panel Nut	316 L/A4.79
11	Upper Stem	316 L/A4.79
12	Packing Bolt	316 L/A4.79
13	Lock Nut	316 L/A4.79
14	Handle	Anodized Aluminium
15	Set Screw	Stainless Steel

Linear unit of size: mm		Needle Valve		HTA-ПРОМ ТЕХНОЛОГИИ РЕШЕНИЯ СЕРВИС	
design	signature	date		versions	1
audit				proportion	1:1
ratify				Page	1/1
				VN8-2B-D-8T-GF-N-S	

NOTE: Dimensions for reference only.