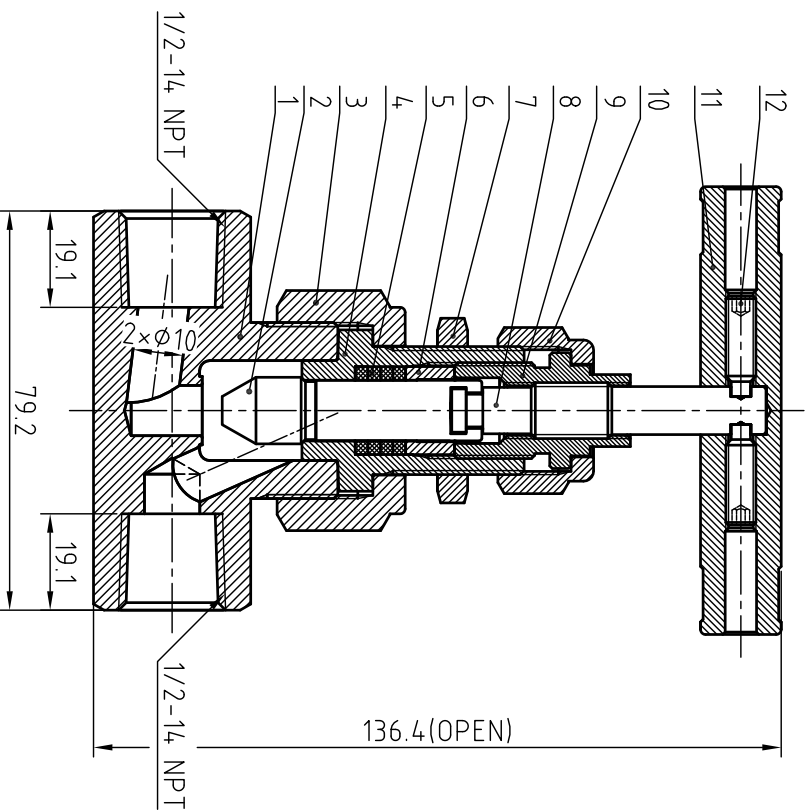
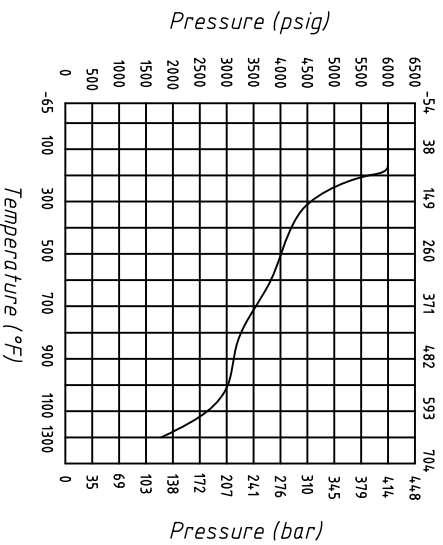


Valve Features	
Maximum working pressure	6000 psig
Working temperature	-54 °C~64.9°C
Orifice	10mm
Cv	1.8

IDX	Designation	Materials
1	Body	316 L/A4-79-NACE
2	Lower Stem	316 L/A4-79-NACE
3	Union Nut	316 L/A4-79
4	Bonnet	316 L/A4-79-NACE
5	Packing	Graphite
6	Gland	316 L/A4-79
7	Panel Nut	316 L/A4-79
8	Upper Stem	316 L/A4-79
9	Packing Bolt	316 L/A4-79
10	Lock Nut	316 L/A4-79
11	Handle	Anodized Aluminium
12	Set Screw	Stainless Steel



Pressure vs. Temperature
Temperature (°C)



NOTE: Dimensions for reference only.

Linear unit of size: mm		Needle Valve		HTA-ПРОМ ТЕХНОЛОГИИ РЕШЕНИЯ СЕРВИС	
design	signature	date	versions	1	proportion
audit					1:1.5
ratify					Page 1/1
			VM8-2C-F-8N-GF-N-SG-S		