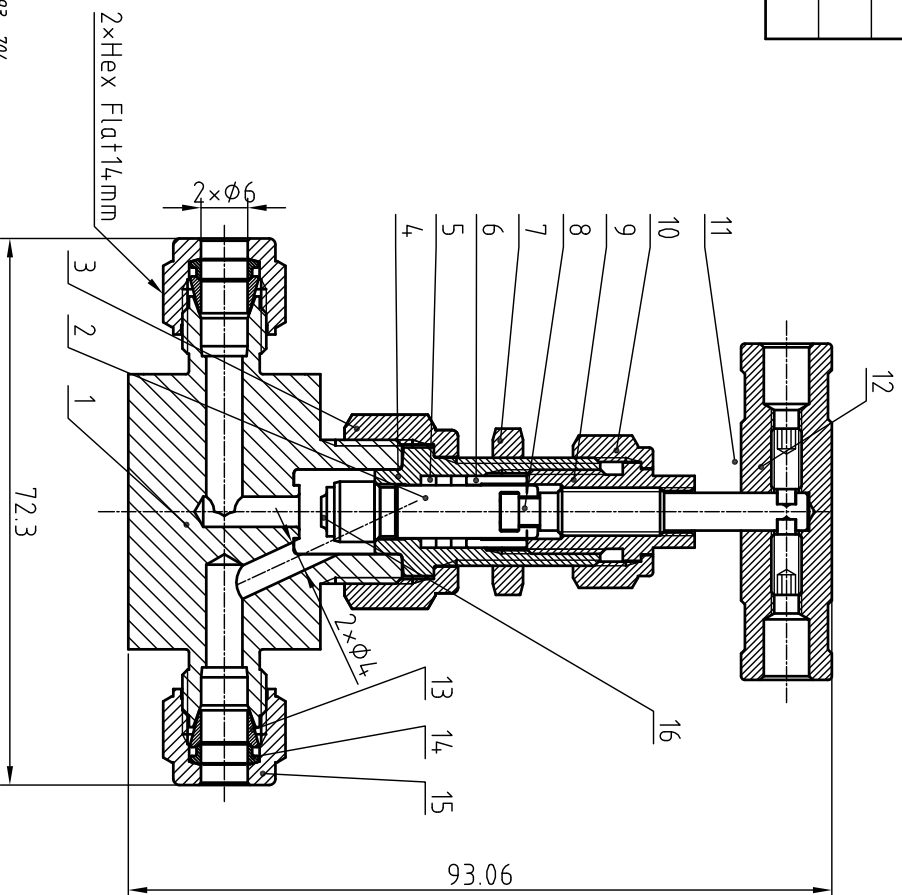
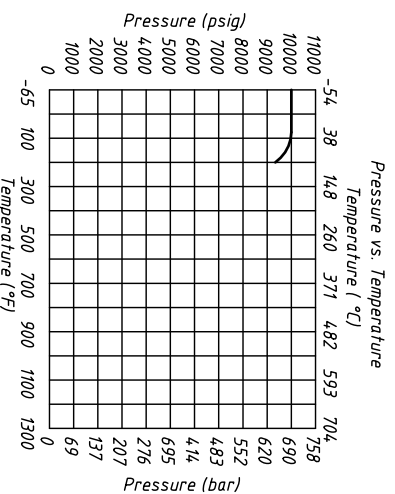


Valve Features	
Maximum working pressure	10000 psig
Working temperature	-54°C~93°C
Orifice	4.0mm
Cv	0.35



IDX	Component	Material
1	Body	316 SS/A479
2	Stem Tip	316 SS/A479
3	Union Nut	316 SS/A479
4	Bonnet	316 SS/A479
5	Packing	PTFE
6	Gland	316 SS/A479
7	Panel Nut	316 SS/A479
8	Stem	316 SS/A479
9	Packing Bolt	316 SS/A479
10	Locking Nut	316 SS/A479
11	Handle	304
12	Set Screw	Stainless Steel
13	Front Ferrules	316 SS/A479
14	Rear Ferrules	316 SS/A479
15	Nut	316 SS/A479
16	Stem Tip	PTTFE



NOTE: Dimensions for reference only.

Linear unit of size: mm		Needle valve		HTA-ПРОМ ТЕХНОЛОГИИ РЕШЕНИЯ СЕРВИС	
design	signature	date	versions	1	proportion
audit					1:1
ratify					Page 1/1
			VN9-2A-D-6M-K-N-316		