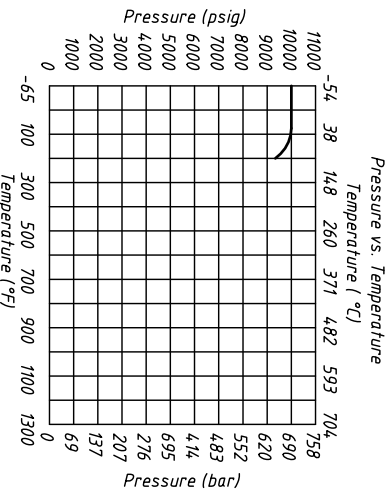
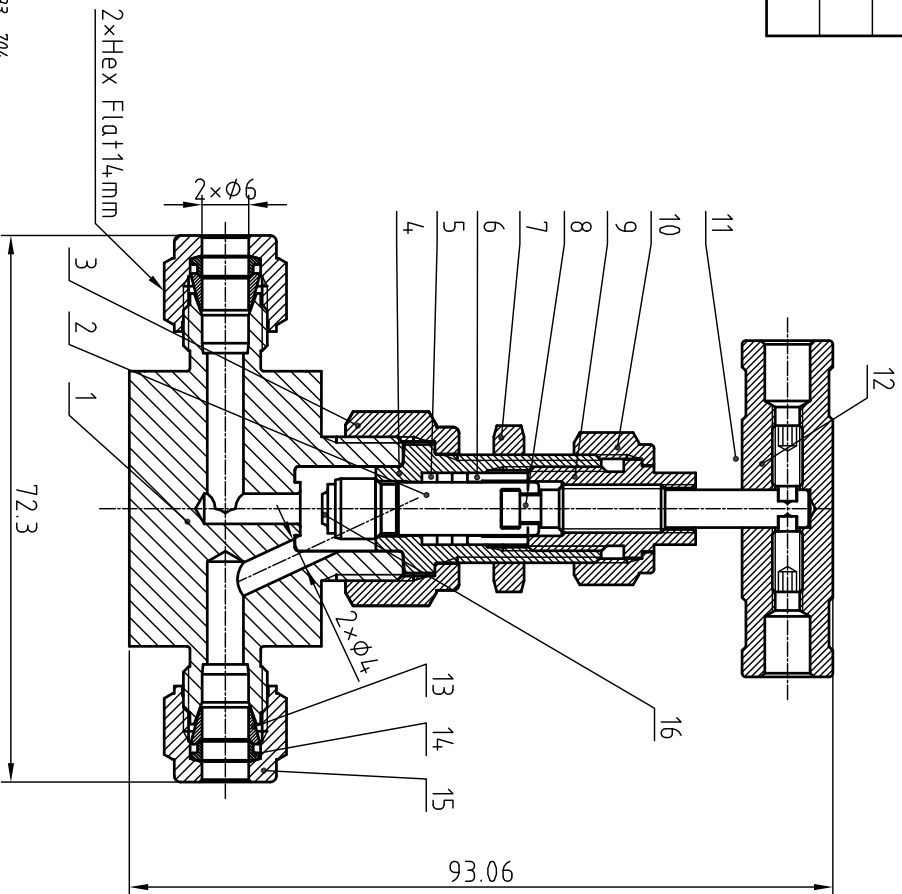


| Valve Features | |
|--------------------------|------------|
| Maximum working pressure | 10000 psig |
| Working temperature | -54°C~93°C |
| Orifice | 4.0mm |
| Cv | 0.35 |



NOTE: Dimensions for reference only.

| IDX | Component | Material |
|-----|----------------|-----------------|
| 1 | Body | 316 L/A479 |
| 2 | Stem Tip | 316 L/A479 |
| 3 | Union Nut | 316 L/A479 |
| 4 | Bonnet | 316 L/A479 |
| 5 | Packing | PTFE |
| 6 | Gland | 316 L/A479 |
| 7 | Panel Nut | 316 L/A479 |
| 8 | Stem | 316 L/A479 |
| 9 | Packing Bolt | 316 L/A479 |
| 10 | Locking Nut | 316 L/A479 |
| 11 | Handle | 304 |
| 12 | Set Screw | Stainless Steel |
| 13 | Front Ferrules | 316 L/A479 |
| 14 | Rear Ferrules | 316 L/A479 |
| 15 | Nut | 316 L/A479 |
| 16 | Stem Tip | PTCFE |

| | | | | | | | | | | | | |
|-------------------------|-----------|--------------|--|----------|-------|--------|----------|------------|------------|-----|--|---|
| Linear unit of size: mm | | Needle valve | | versions | | 1 | | proportion | | 1:1 | | HTA-ПРОМ ТЕХНОЛОГИИ РЕШЕНИЯ СЕРВИС VN9-2A-D-6M-K-N-S |
| design | signature | | | date | audit | ratify | versions | 1 | proportion | 1:1 | | |