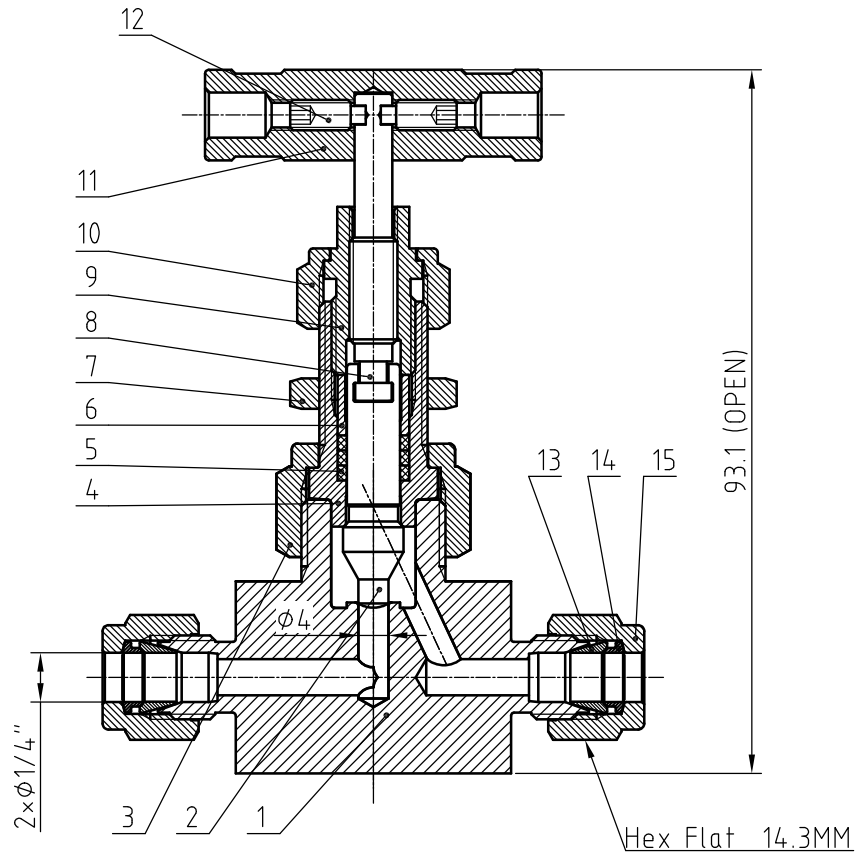
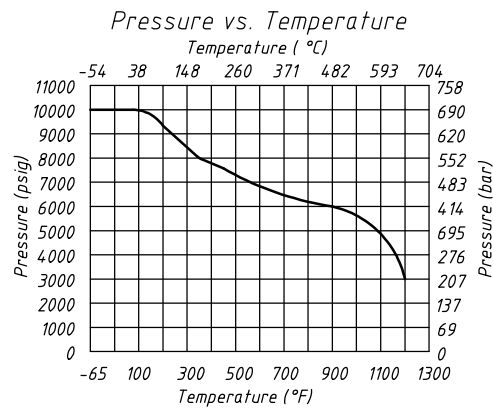


Valve Features	
Maximum working pressure	10000psig
Working temperature	-54°C~64.9°C
Orifice	4mm
Cv	0.35



IDX	Component	Material
1	Body	316 L/A4.79
2	Stem Tip	316 L/A4.79
3	Union Nut	316 L/A4.79
4	Bonnet	316 L/A4.79
5	Packing	Graphite
6	Gland	316 L/A4.79
7	Panel Nut	316 L/A4.79
8	Stem	316 L/A4.79
9	Packing Bolt	316 L/A4.79
10	Locking Nut	316 L/A4.79
11	Handle	Stainless Steel
12	Set Screw	Stainless Steel
13	Front Ferrules	316 L/A4.79
14	Rear Ferrules	316 L/A4.79
15	Nut	316 L/A4.79



NOTE: Dimensions for reference only.

Linear unit of size: mm		Needle valve		 ТЕХНОЛОГИИ РЕШЕНИЯ СЕРВИС	
signature	date				
design		versions	1	proportion	1:1
audit				Page 1/1	
ratify					
VN9-2B-D-4T-GF-R-N-S					