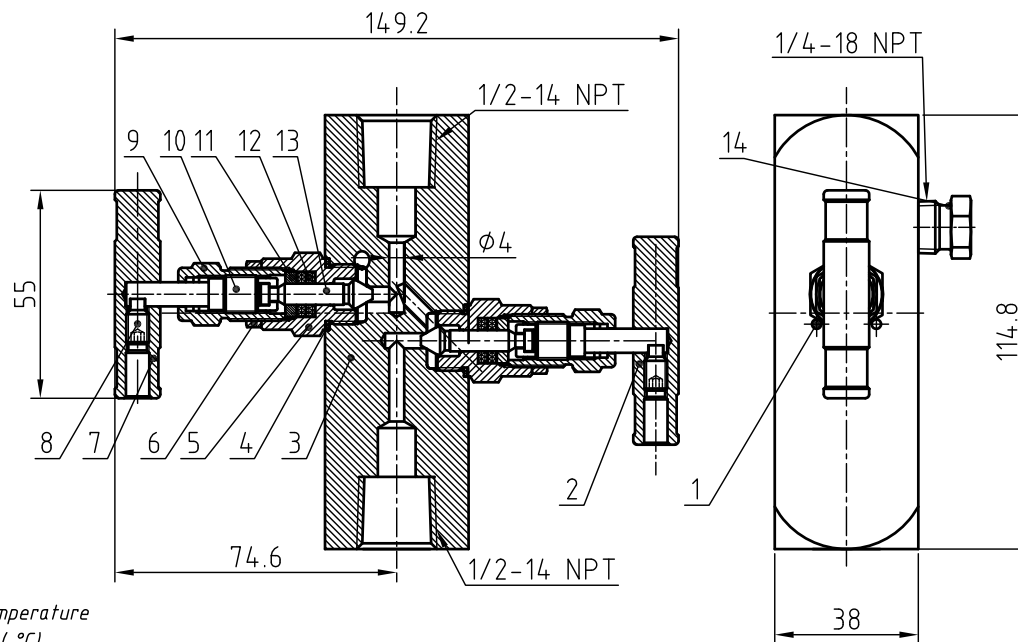
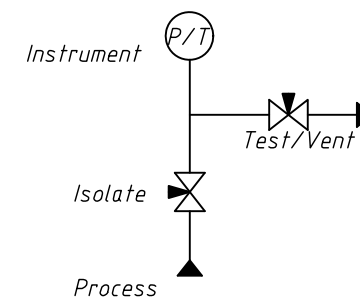
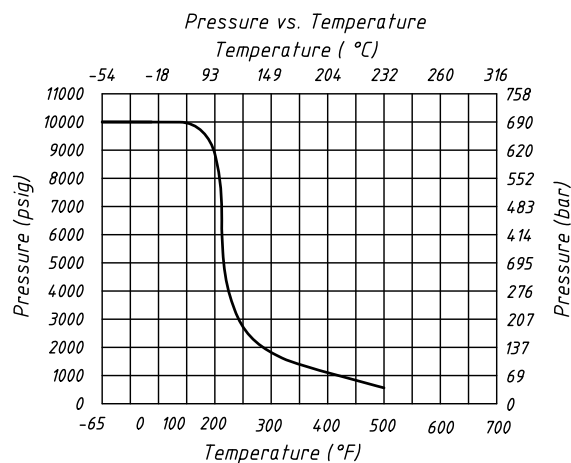


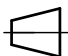

Valve Features	
Maximum working pressure	10000psig
Working temperature	-54°C~232°C
Orifice	4.0mm



IDX	Component	Materials
1	Lock Pin	Stainless Steel
2	Handle	Aluminum Oxide
3	Body	316 L/A479
4	Gland	316 L/A479
5	Bonnet	316 L/A479
6	Lock Nut	316 L/A479
7	Handle	Aluminum Oxide
8	Set Screw	Stainless Steel
9	Packing Bolt	316L/A479
10	Upper Stem	316L/A479
11	Gland	316L/A479
12	Packing	PTFE
13	Lower Stem	316L/A479
14	Thread plug	316L/A479



NOTE: Dimensions for reference only.

Linear unit of size: mm		2-Valve Manifolds		<b>HTA-ПРОМ</b> ТЕХНОЛОГИИ РЕШЕНИЯ СЕРВИС	
design	signature	date	versions	1	proportion
audit	✓	29.09.2025			1:2
ratify			 		Page 1/1
					<b>HV2N-2-F-8N-S</b>