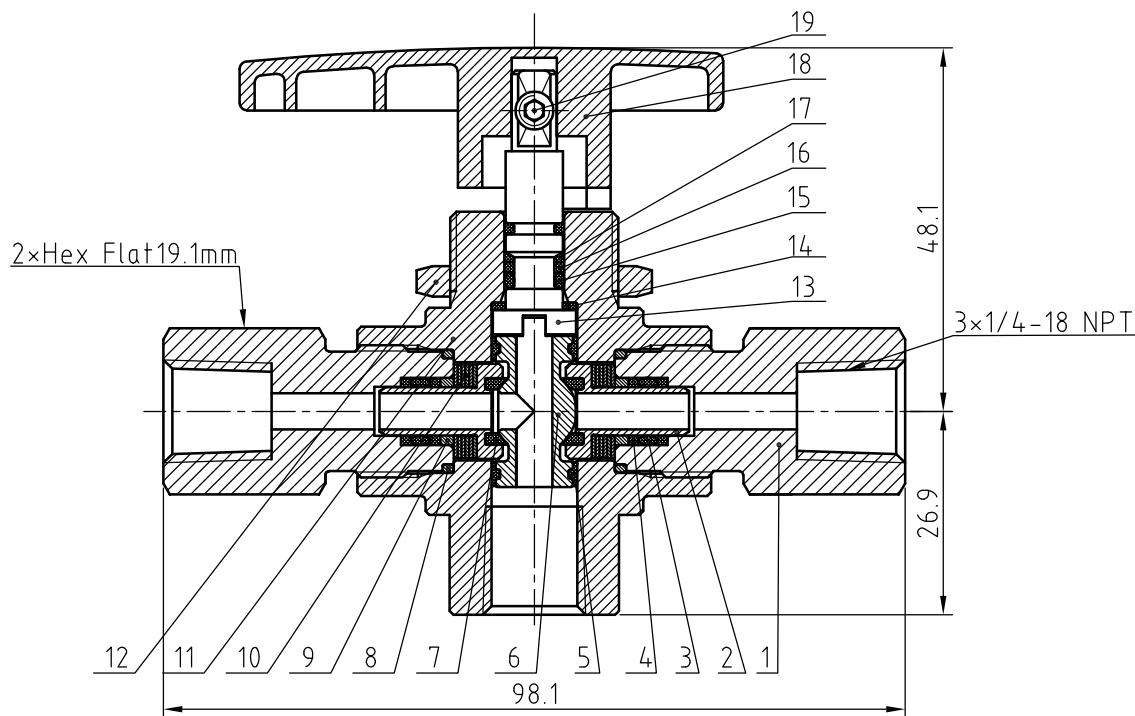
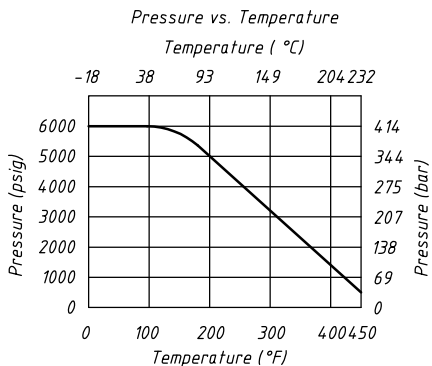


Valve Features	
Maximum working pressure	6000 psig (4.14bar)
Working temperature	-18°C~232°C
Orifice	0.19in.(4.8mm)
Cv	1



Item	Component	Materials
1	End Connection	316 L/A479
2	Seat Retainer	316 L/A479
3	O-ring	FKM
4	Seat Retainer Backup Ring	PTFE
5	Trunnion Backup Ring	PTFE
6	Ball	316 L/A479
7	Seat	PEEK
8	End Connection Seal	316 L/A479
9	Seat Retainer Guide	316 L/A479
10	Packing Spring	S17700/A693
11	Body	F316 L/A182
12	Panel Nut	316 L/A479
13	Stem	316 L/A479
14	Stem Washer	PEEK
15	O-ring	FKM
16	Secondary Stem Backup Ring	PTFE
17	Primary Stem Backup Ring	PEEK
18	Handle	Nylon with SS insert
18	Set Screw	304

NOTE:Dimensions for reference only.

Linear unit of size: mm		<i>Ball Valves</i>		НТА-ПРОМ ТЕХНОЛОГИИ РЕШЕНИЯ СЕРВИС	
signature	date				
design		versions	1	proportion	1:1
audit				Page 1/1	
ratify					