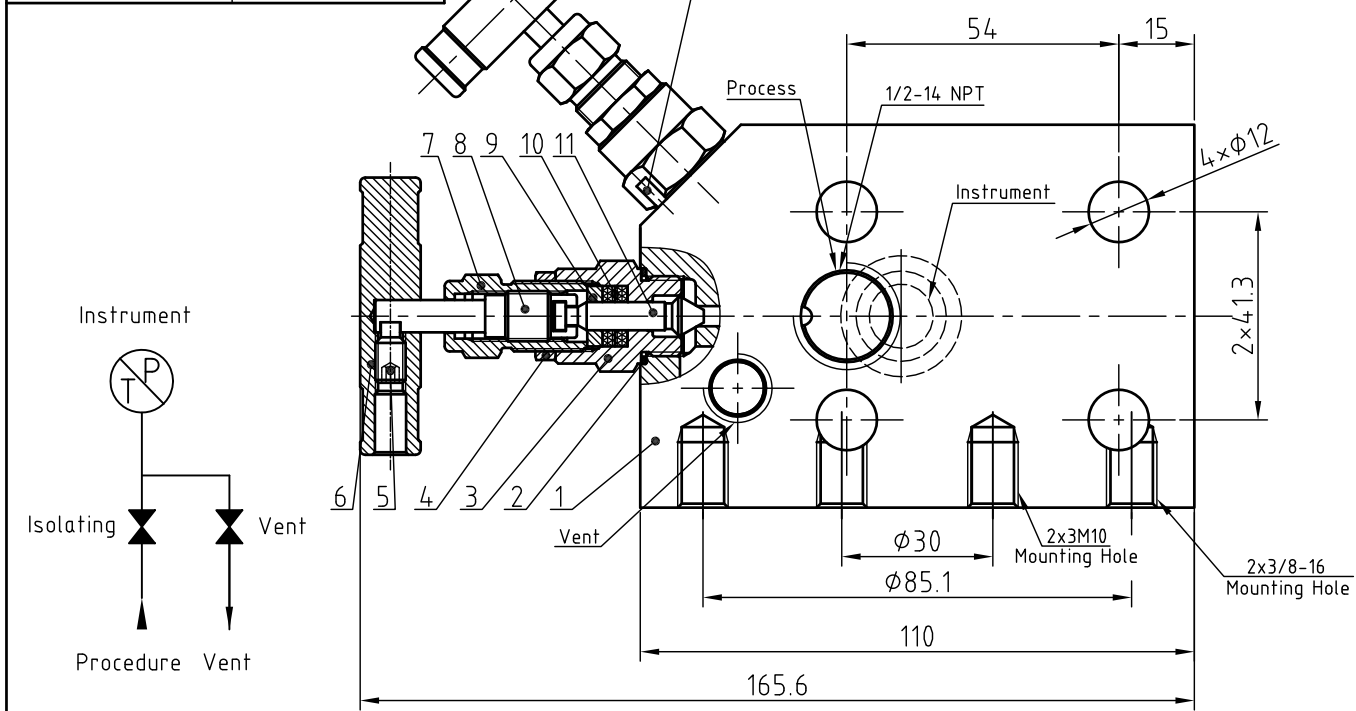
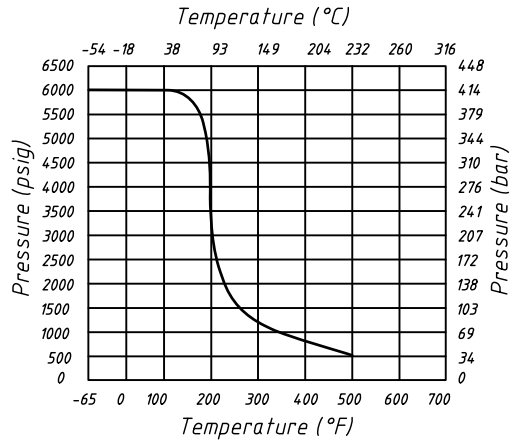


Valve Features	
Maximum working pressure	6000psig
Working temperature	-54°C~232°C
Orifice	4.0mm

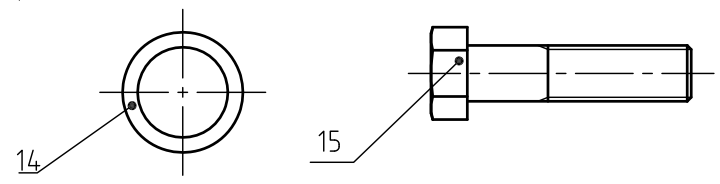


IDX	Designation	Materials
1	Valve body	316 L/A479
2	Gasket	316 L/A479
3	Bonnet	316 L/A479
4	Lock Nut	316 L/A479
5	Set Screw	Stainless Steel
6	Handle	Alumina
7	Packing gland	316L/A479
8	Upper valve Stem	316L/A479
9	Gland	316L/A479
10	Packing	PTFE
11	Lower stem	316L/A479
12	Handle	Alumina
13	Lock Pin	Stainless Steel
14	Sealing ring	PTFE
15	High tensile bolt	Galvanized carbon steel

Pressure vs. Temperature



NOTE: Dimensions for reference only.



Linear unit of size: mm		2-valve Manifold		<b>HTA-ПРОМ</b> ТЕХНОЛОГИИ РЕШЕНИЯ СЕРВИС	
signature	date	versions	1	proportion	1:1.5
design					
audit					
ratify				Page 1/1	MN2V-2-D6-F8N-S