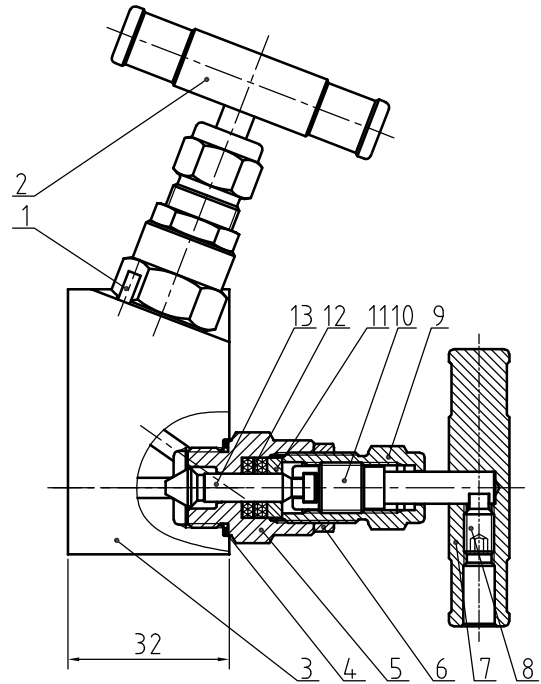
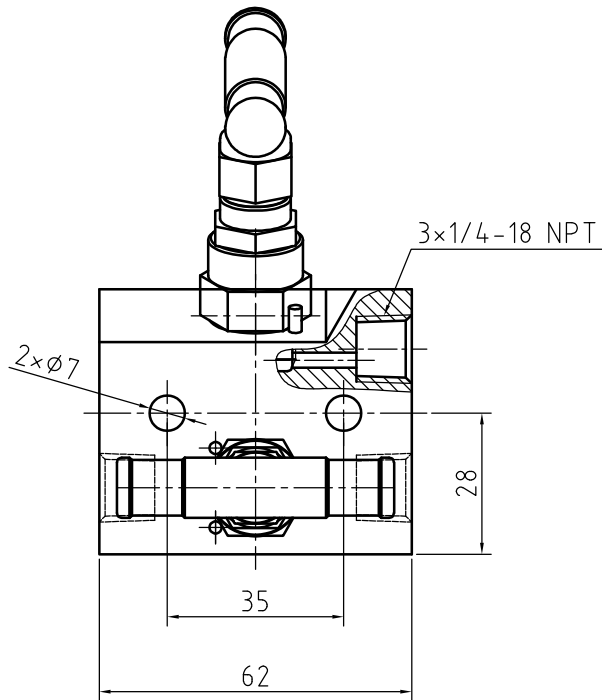
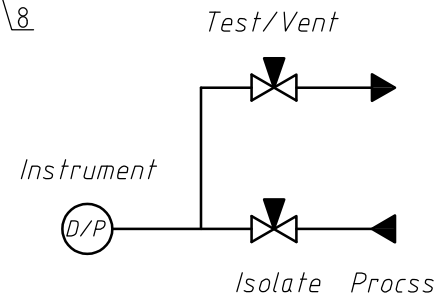
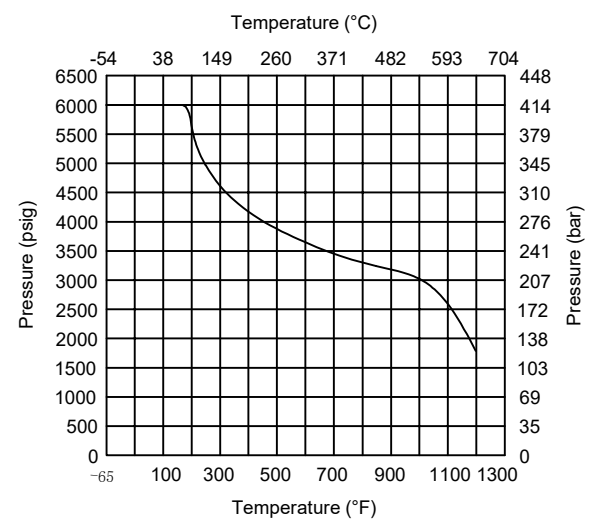


Valve Features	
Maximum working pressure	6000psig
Working temperature	-54°C~232°C



IDX	designation	materials
1	Screw	Stainless steel
2	Handle	Anodized aluminum
3	Body	316L/A479
4	End Connection	316L/A479
5	Bonnet	316L/A479
6	Lock Nut	316L/A479
7	Handle	Anodized aluminum
8	Set Screw	Stainless steel
9	Packing Bolt	316L/A479
10	Upper Stem	316L/A479
11	Gland	316L/A479
12	Packing	PTFE
13	Lower Stem	316L/A479



NOTE: Dimensions for reference only.

Linear unit of size: mm		2-valve Manifolds		<b>HTA-ПРОМ</b> ТЕХНОЛОГИИ РЕШЕНИЯ СЕРВИС	
signature	date				
design		versions	1	proportion	1:1.5
audit				Page 1/1	
ratify					