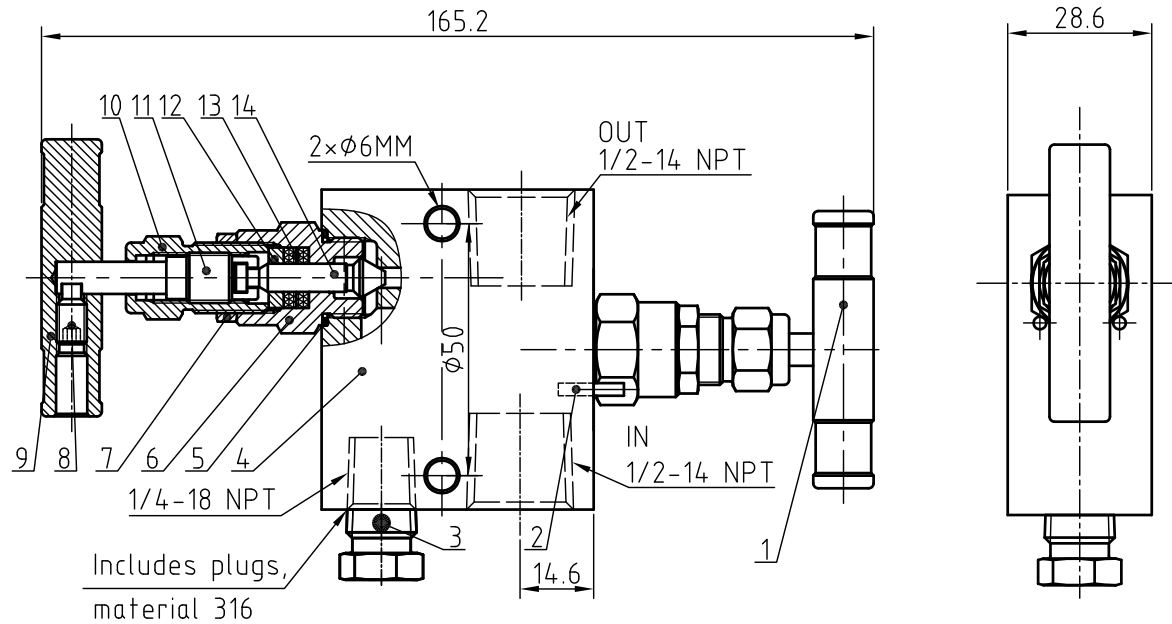
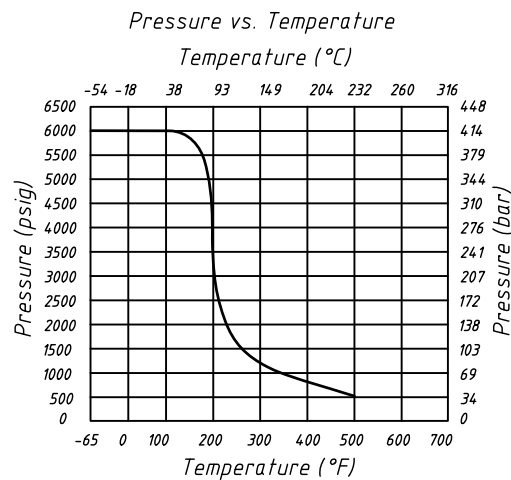
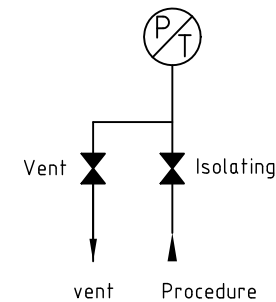


Valve Features	
Maximum working pressure	6000psig
Working temperature	-54°C~232°C
Orifice	4.0mm



IDX	Designation	Materials
1	Handle	Alumina
2	Lock Pin	Stainless Steel
3	Thread plug	316 L/A479
4	Valve body	316 L/A479
5	Gasket	316 L/A479
6	Bonnet	316 L/A479
7	Lock Nut	316 L/A479
8	Set Screw	Stainless Steel
9	Handle	Alumina
10	Packing gland	316L/A479
11	Upper valve Stem	316L/A479
12	Gland	316L/A479
13	Packing	PTFE
14	Lower stem	316L/A479

Instrument



NOTE: Dimensions for reference only.

Linear unit of size: mm		2-valve Manifold		<b>HTA-ПРОМ</b> ТЕХНОЛОГИИ РЕШЕНИЯ СЕРВИС	
signature	date	versions	1		
design		audit	✓	05.09.2025	MN2V-2-R2-F8N-P4N-S Page 1/1
ratify					