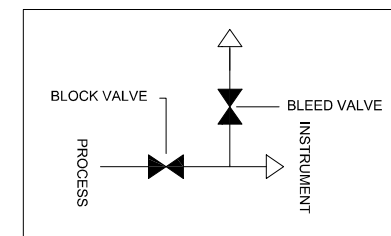
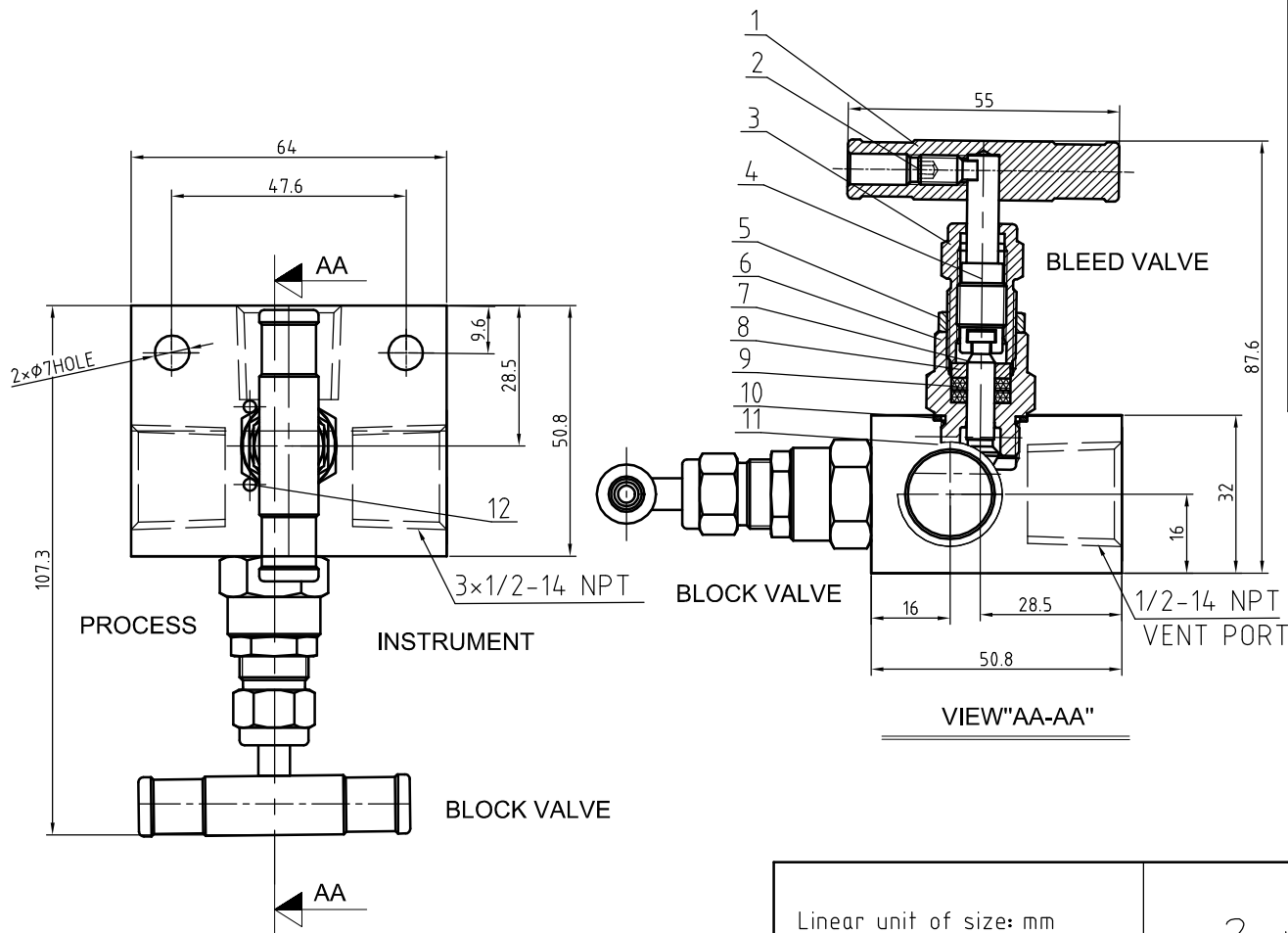


Valve Features	
Maximum working pressure	6000psig
Working temperature	-54°C~649°C
Orifice	3.2mm

IDX	Designation	Materials
1	Handle	Anodized aluminium
2	Set Screw	Stainless steel
3	Packing Bolt	316SS/A479
4	Upper Stem	316SS/A479
5	Lock Nut	316SS/A479
6	Bonnet	316SS/A479
7	Lower Stem	316SS/A479
8	Packing Bolt	316SS/A479
9	Packing Washer	Grafoil
10	Sealing gasket	316SS/A479
11	Body	Anodized aluminium
12	Stop Pin	Stainless steel



NOTE:Dimensions for reference only.

Linear unit of size: mm		2-valve		 ТЕХНОЛОГИИ РЕШЕНИЯ СЕРВИС	
signature	date				
design		versions	1	proportion	1:1.5
audit				Page 1/1	
ratify					
<b>MN2V-2-R3-F8N-</b> <b>VF8N-GF-NTA1-S</b>					